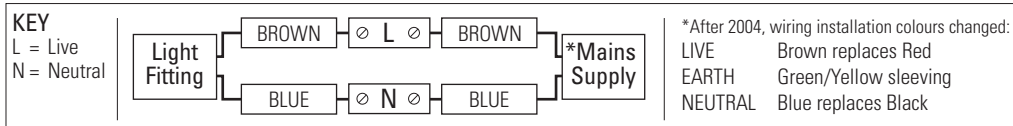


These instructions are provided for your safety in order to prevent the risk of Fire, Electric shock or Injury. It is vitally important that they are read in their entirety before installing your fitting. Please retain for future reference.

1. If you are in any doubt consult a qualified electrician as to the installation of the fitting. Install in accordance with current IEE wiring regulations. It is recommended that this fitting is installed by a qualified electrician.
2. Ensure that the electrical supply is OFF. Disconnect the electrical supply at the fuse-board.
3. If removing an existing fitting first, note all wiring connections: record which of the house wires is connected to the live, neutral and earth terminals.
4. Carefully identify where the supply cable is (and check there are no other cables in the area) to avoid damage to concealed wiring during installation.
5. Position the light where desired ensuring that there is suitable support adjacent to where you will connect to the house supply and mark position of fixing holes, before drilling appropriate holes as below.
6.
  - a. Brick or masonry: Drill holes into which the wall plugs tightly fit, then insert wall plugs.
  - b. Wood: No hole necessary (unless small pilot hole required), screws can be screwed directly into the timber.
  - c. Plaster/Cavity: Special cavity wall fittings are required, rather than provided fixings. These are widely available from good hardware or DIY store and should come with their own instructions that must be followed. It may be easier to relocate the fitting so that you screw directly into a timber joist or beam.
7. Once desired drop determined, adjust the flex length accordingly. Consult an electrician if in any doubt.
  - Use wire cutters to cut flex at desired length and then remove 60mm of the cotton braid and outer insulation (making sure no damage occurs to the interior cables). Apply electrical tape around the end of the cotton braid to prevent fraying.
  - Remove 11mm of insulation from the conductors, ready to be wired into a connector block.
8. Support the fitting so that no strain is applied to the wiring when making the electrical connections. If necessary get a colleague to help.
9. Electrical connection: this light fitting is double insulated, DO NOT connect to an Earth wire or terminal. Make connections using the connector block, following the diagram below. A small flat-head screwdriver is required.



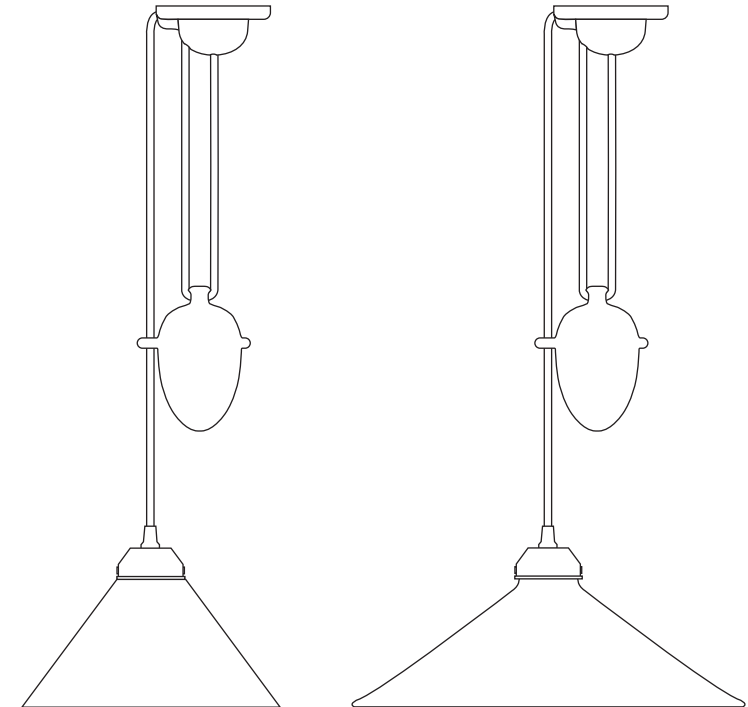
10. Double check all the connections are secure and that no loose strands of wire are left out of the connector. Ensure the wires are held firmly within the connectors.
11. Check that no wires are trapped behind or within the fitting and complete the installation, see hanging instructions inside.
12. Fit the correct type and wattage of lamp (or less). Be careful not to overtighten the lamp.
13. Switch on at the fuse-board. Your light fitting is now ready for use.

### Other Important Information

Switch off at mains before changing lamp(s). Never fit a lamp of greater wattage than recommended. Ensure children do not play with the light fitting. Dispose of old lamps carefully. Never leave a fitting without a lamp in position (or someone can accidentally touch the contacts). Adjust fitting only when power to the fitting is off and has been left to cool. If the external flexible cable or cord of this luminaire is damaged, it shall exclusively be replaced by the manufacturer or his service agent, or similar suitably qualified person in order to avoid a hazard. For use in a dry, indoor environment only. Ensure the fitting does not come into contact with any liquids.

### Cleaning and Maintenance

Metal finishes should only be cleaned with a soft, dry cloth. Do not use polishes or abrasives. Bone china can be cleaned by hand, using a soft damp cloth with a diluted mild detergent (nonabrasive) if necessary. Switch off power to the fitting before cleaning. Spare parts are available, please contact us using the information provided below.



Small  
FP189

Large  
FP350

Established in 1990, Original BTC manufactures relaxed, familiar lighting for traditional and contemporary homes.

All products are hand-assembled in Oxfordshire from high quality components, produced in the UK.

ORIGINALBTC.COM

+44 (0)1993 882 251

UNIT 21 / 22 AVENUE ONE, STATION LANE, WITNEY, OX28 4XZ, ENGLAND



**ORIGINAL BTC**  
 BRITISH LIGHTING MANUFACTURERS  
 LONDON • NEW YORK • PARIS



# Cosmo Rise & Fall

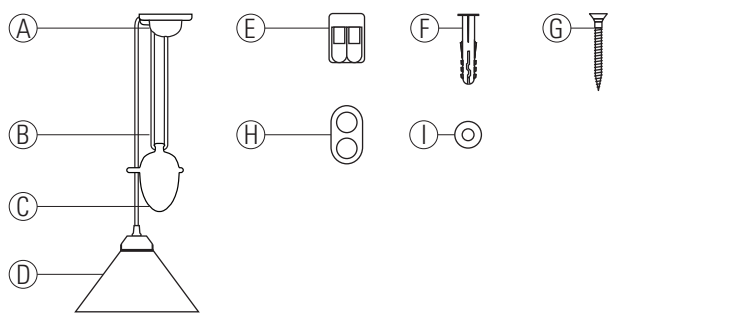
FP189 & FP350 | 230V AC 50Hz | IP20

FP189 Cobb Rise & Fall Small Pendant Light  
 FP350 Cobb & Fall Large Pendant Light

LAMP GUIDANCE				
BASE	SHAPE	TYPE*	WATTAGE**	
E27	GLS <del>BALL</del>	INCANDESCENT	x	N/A
		CFL	x	N/A
		ECO-HALOGEN	x	N/A
		LED	✓	18W

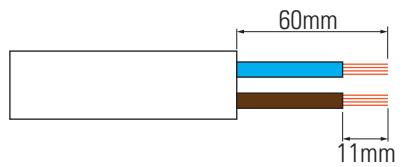
\* Warm white (2700k) low energy lamps recommended.  
 \*\* Wattage value provided as a guide to suitable lamps. Lower wattage than stated may be used.

## Contents



- Contents**
- A Ceiling rose
  - B Cable
  - C Counterbalance
  - D Shade
  - E Connector block (x2)
  - F Rawl plugs (x2)
  - G Fixing screws (x2)
  - H 2-Hole cord grip
  - I Washers (x2)
- Tools Required**
- Cross head screwdriver
  - Drill (if holes are required)

## Main Supply Cable Preparation

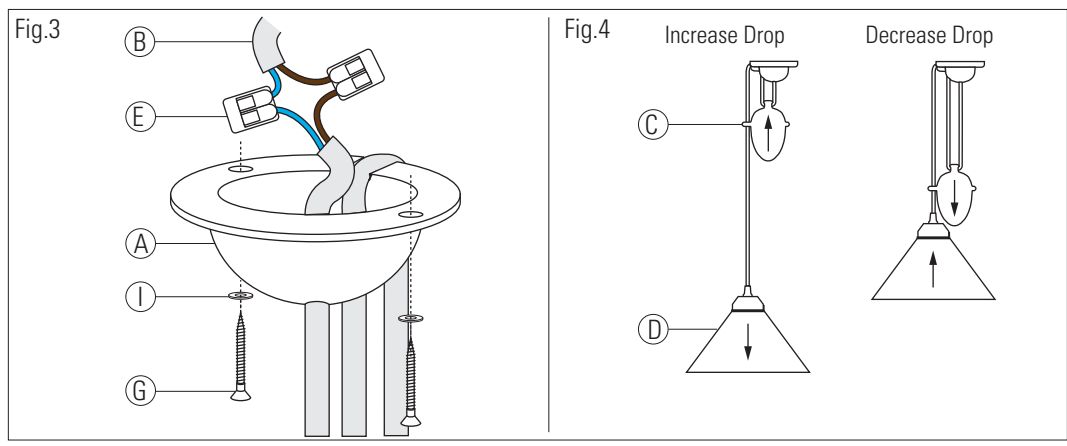
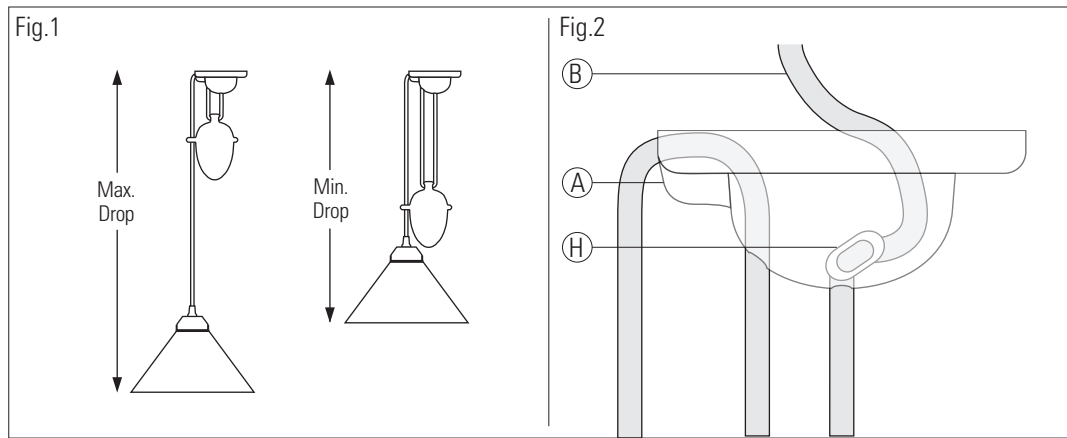


Please prepare the supply cable as shown. Note the maximum conductor size 4mm<sup>2</sup>.

**CAUTION** THIS PRODUCT IS MADE FROM FINE BONE CHINA. EXCESSIVE FORCE USED DURING INSTALLATION OR OPERATION CAN CAUSE DAMAGES OR BREAKAGES.

PLEASE READ THE INSTRUCTIONS ON THE REVERSE BEFORE YOU BEGIN INSTALLING YOUR LIGHT

## Installation & Operation Diagrams



## Installation & Operation Instructions

**PLEASE READ THROUGH ALL INSTUCTIONS ON THE BACK PAGE BEFORE STARTING ANY WORK!**

**Fig.1** - The rise & fall mechanism of this light allows you to adjust the height of the shade to create different lighting effects. Please note that a larger maximum drop will also result in a larger minimum drop, and vice versa. In order for the rise & fall mechanism to operate correctly, the ceiling rose (A) will need to be installed flat/level.

**Fig.2** - Feed the cable (B) through the cord grip (H) until you are satisfied with the minimum & maximum drop. Shorten the cable, if desired, allowing at least 10cm of excess cable to wire the fitting to the main supply. Please refer to point 7 on the back page.

**Fig.3** - Mark & drill suitable fixing holes, referring to points 1 to 6 on the back page. Make the connections to the main supply, using the connectors (E) provided and referring to points 8 to 10 on the back page. Secure the ceiling rose in place using the fixing screws (G) provided - taking care to ensure the washers (I) are in place to avoid cracking the ceramic. DO NOT USE POWER TOOLS; YOU WILL BREAK THE CEILING ROSE.

**Fig.4** - Adjust the drop of the luminaire by gently adjusting both the counterbalance (C) and shade (D).