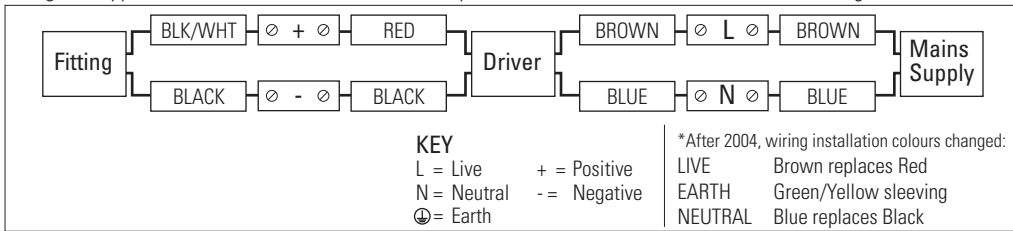


These instructions are provided for your safety in order to prevent the risk of Fire, Electric shock or Injury. It is vitally important that they are read in their entirety before installing your fitting. Please retain for future reference.

1. If you are in any doubt consult a qualified electrician as to the installation of the fitting. Install in accordance with current IEE wiring regulations. It is recommended that this fitting is installed by a qualified electrician.
2. Ensure that the electrical supply is OFF. Disconnect the electrical supply at the fuse-board.
3. If removing an existing fitting first, note all wiring connections: record which of the house wires is connected to the live, neutral and earth terminals.
4. Carefully identify where the supply cable is (and check there are no other cables in the area) to avoid damage to concealed wiring during installation.
5. Position the light where desired ensuring that there is suitable support adjacent to where you will connect to the house supply and mark position of fixing holes, before drilling appropriate holes as below.
6.
 - a. Brick or masonry: Drill holes into which the wall plugs tightly fit, then insert wall plugs.
 - b. Wood: No hole necessary (unless small pilot hole required), screws can be screwed directly into the timber.
 - c. Plaster/Cavity: Special cavity wall fittings are required, rather than provided fixings. These are widely available from good hardware or DIY store and should come with their own instructions that must be followed. It may be easier to relocate the fitting so that you screw directly into a timber joist or beam.
7. Support the fitting so that no strain is applied to the wiring when making the electrical connections.
8. Electrical connection: this light fitting is low voltage, DO NOT connect to an Earth wire or terminal. Make connections using the supplied connectors. DO NOT connect directly to the mains; connection MUST be made through the 12V driver.



9. Ensure the connections are made in a suitable IP rated enclosure. Ensure no loose strands of wire are protruding from the WAGO connectors. If installing in a damp or exterior location seal the backplates against the wall using a thin bead of silicone to protect the light from moisture ingress.
10. Check that no wires are trapped behind or within the fitting and complete the installation, referring to the Installation diagram inside.
11. Switch on at the fuse-board. Your light fitting is now ready for use.

Other Important Information

Switch off at mains before changing lamp(s). Never fit a lamp of greater wattage than recommended. Ensure children do not play with the light fitting. Dispose of old lamps carefully. Never leave a fitting without a lamp in position (or someone can accidentally touch the contacts). Adjust fitting only when power to the fitting is off and has been left to cool. If the electrical flex or electrical components become damaged at any point, power to the fitting should be disconnected immediately and not operated until the damaged parts are fixed/replaced.

Cleaning and Maintenance

Metal finishes should only be cleaned with a soft, dry cloth. Do not use polishes or abrasives. Glass can be cleaned with a suitable glass cleaner; avoid contact with metal finishes. Switch off power to the fitting before cleaning. Spare parts are available for this product, please contact us on the details below.

Established in 1990, Original BTC manufactures relaxed, familiar lighting for traditional and contemporary homes.

All products are hand-assembled in Oxford from high quality components, produced in the UK.

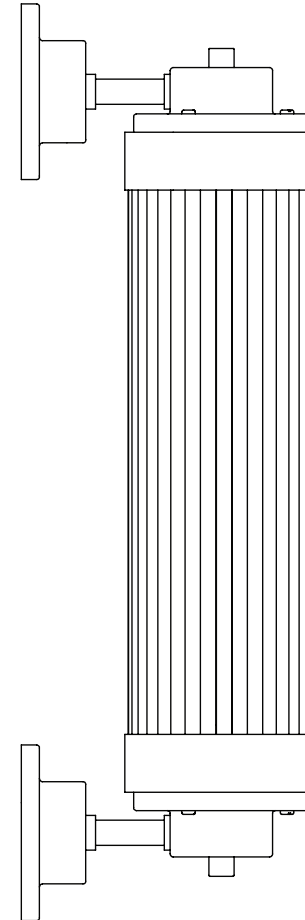
ORIGINALBTC.COM

+44 (0)1993 882 251

UNIT 21 / 22 AVENUE ONE, STATION LANE, WITNEY, OX28 4XZ, ENGLAND



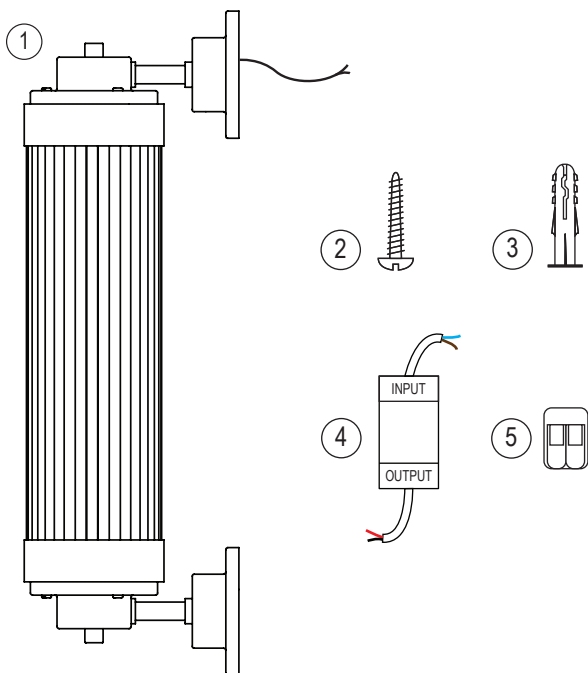
ORIGINAL BTC
 BRITISH LIGHTING MANUFACTURERS
 LONDON - PARIS



Pillar Wall Light with Glass Rods | 12V DC 50Hz | IP44

With roots dating back to the shipyards of nineteenth century London, Davey Lighting combines industrial design, traditional craftsmanship and the finest raw materials. Authentic and unique, lights are manufactured in England with the same attention to detail required for their original industrial purpose. Simplicity of design and choice of finish, including weathered brass and copper, polished aluminium and galvanised cast iron, make Davey lights equally suited to traditional or contemporary schemes.

LAMP GUIDANCE		
MODEL	TYPE	WATTAGE
7216	LED	10W
Integral LED light source. DO NOT ATTEMPT TO REPLACE LAMP. In case of lamp failure contact original point of purchase.		



Contents

- 1 - Lamp
- 2 - 6 x fixing screws
- 3 - 6 x rawl plugs
- 4 - 12V LED Driver
- 5 - 4 x WAGO Connector

Required for Installation

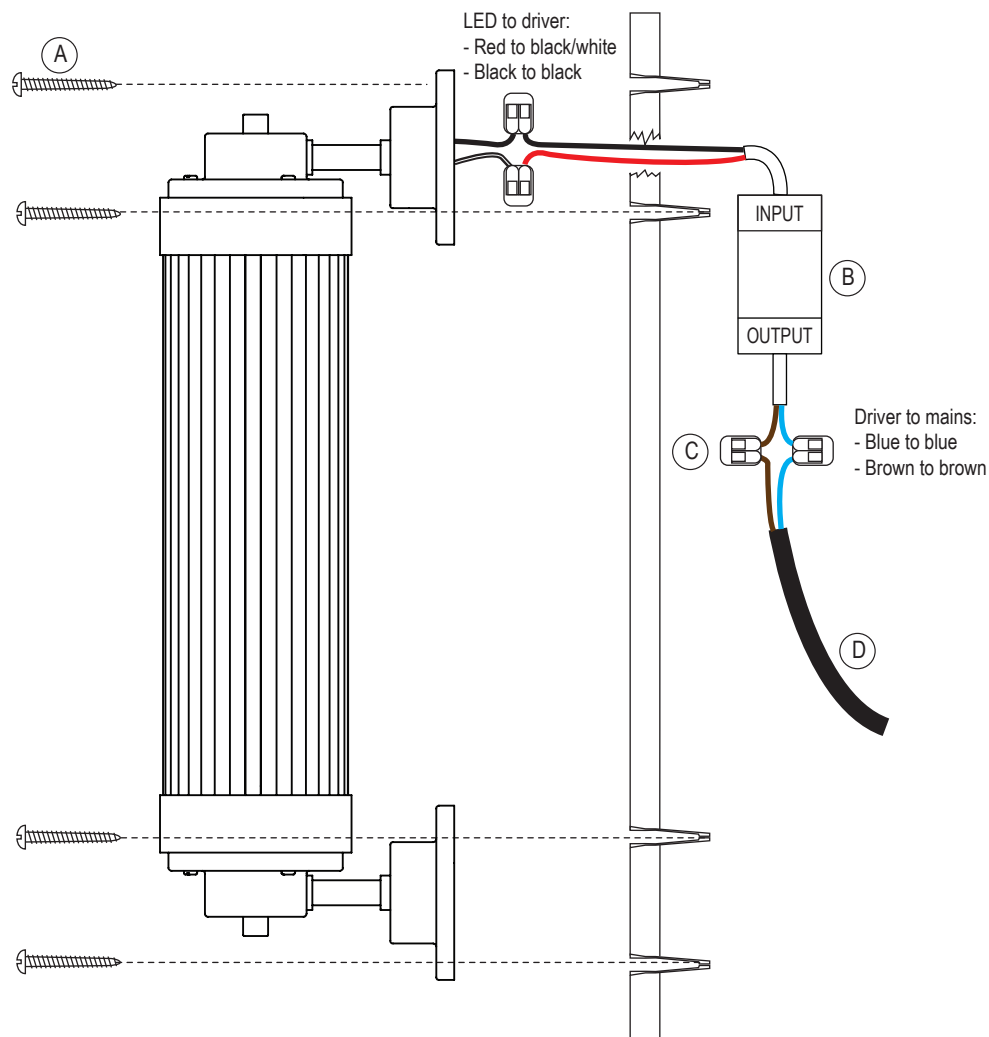
- Screwdriver, flat-head
- Small screwdriver, flat-head
- Drill (if holes are required)

PLEASE READ THE INSTRUCTIONS ON THE REVERSE BEFORE YOU BEGIN INSTALLING YOUR LIGHT

Installation and Assembly Instructions

- Fitting is dimmable and is supplied with a TRIAC dimming leading edge driver.
- Make electrical connection following the instructions overleaf. Ensure fitting is connected via the supplied 12V LED driver.
- Use supplied fixings to secure the fitting to the wall, as shown in the diagram above opposite.

Installation Diagram



Key

- A Fixing Screws
- B Driver
- C WAGO connector
- D Mains Supply

NOTE: If the fitting is being installed in an exterior location or bathroom we recommend sealing the backplates using a thin bead of silicone. House driver and make connections in a suitable IP-rated enclosure.