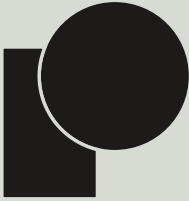


Instructions



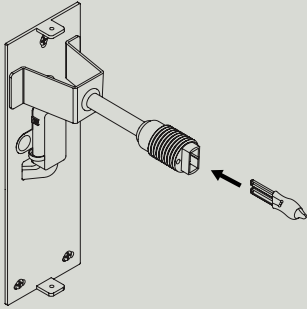
Journey SHY2

Signe Hytte

2018

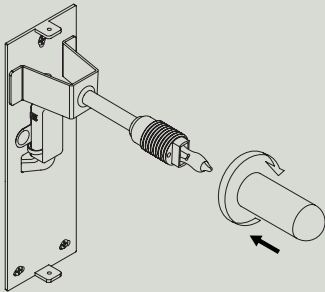
Congratulations with your new Journey lamp, designed in 2018 by Signe Hytte. We hope you will enjoy using this product and follow these instructions to ensure correct installation. If you have any questions or comments, please do not hesitate to contact us by mail on:

info@andtradition.com



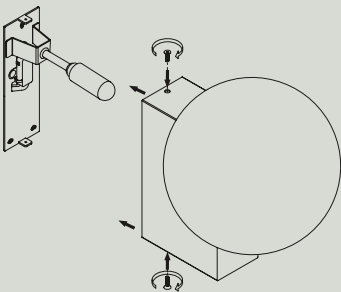
Step 4

Install the light bulb by pushing it carefully into the socket.



Step 5

Install the glass diffuser by attaching it onto the thread of the bulb socket.



Step 6

Place the lamp carefully on the wall bracket. Insert and tighten the screws to fix the lamps to the wall bracket. The lamp is now ready to use.

&Tradition®