

IMPORTANT!

It is crucial to turn off the power to the circuit prior to commencing any installation work. In certain nations, installation work related to electricity may solely be performed by an authorized electrical contractor. For guidance, reach out to your local electricity authority.

NORDIC TALES BRIGHT MODECO

Please visit Nordic-tales.com for more technical information or contact customerservice@nordic-tales.com

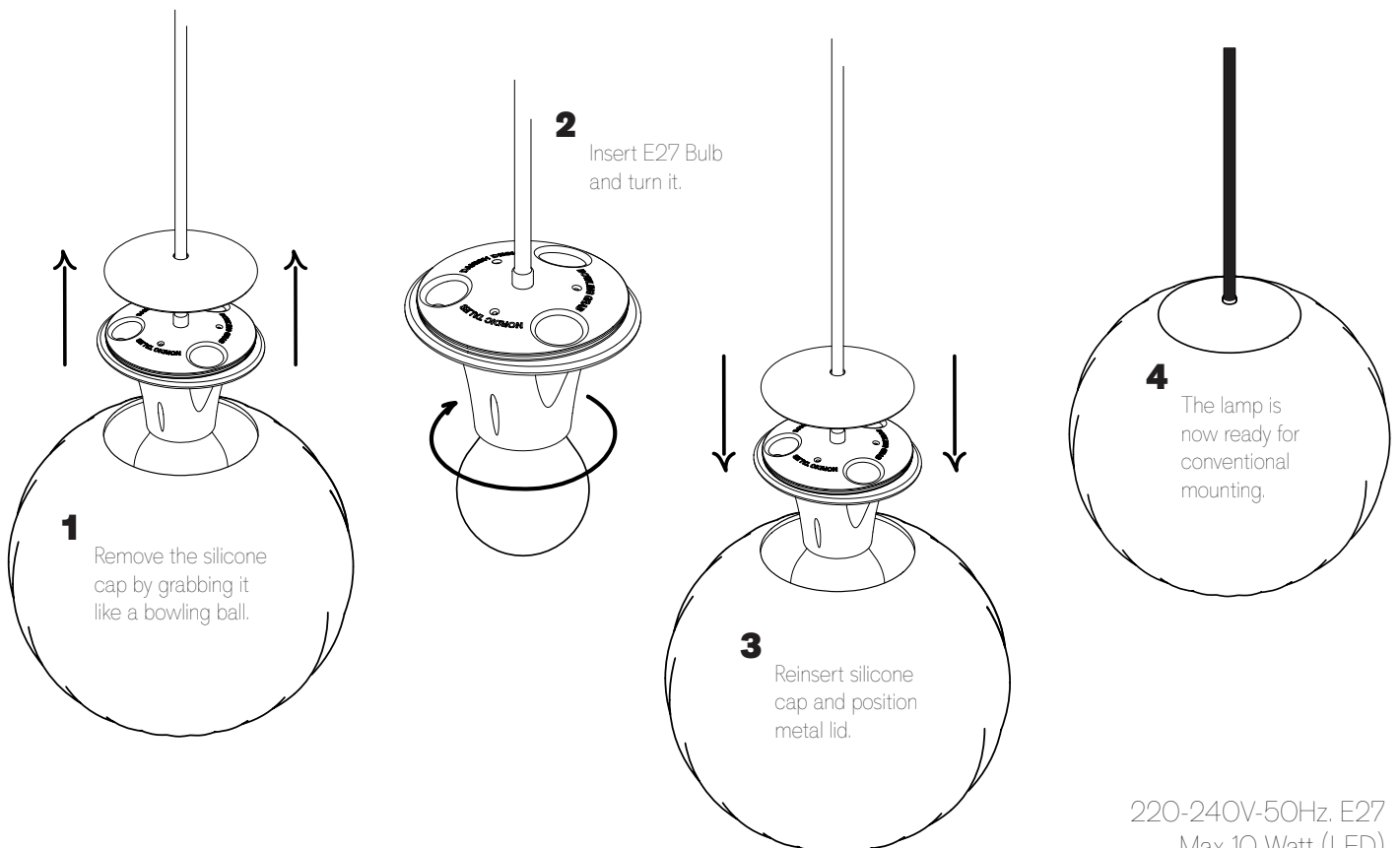
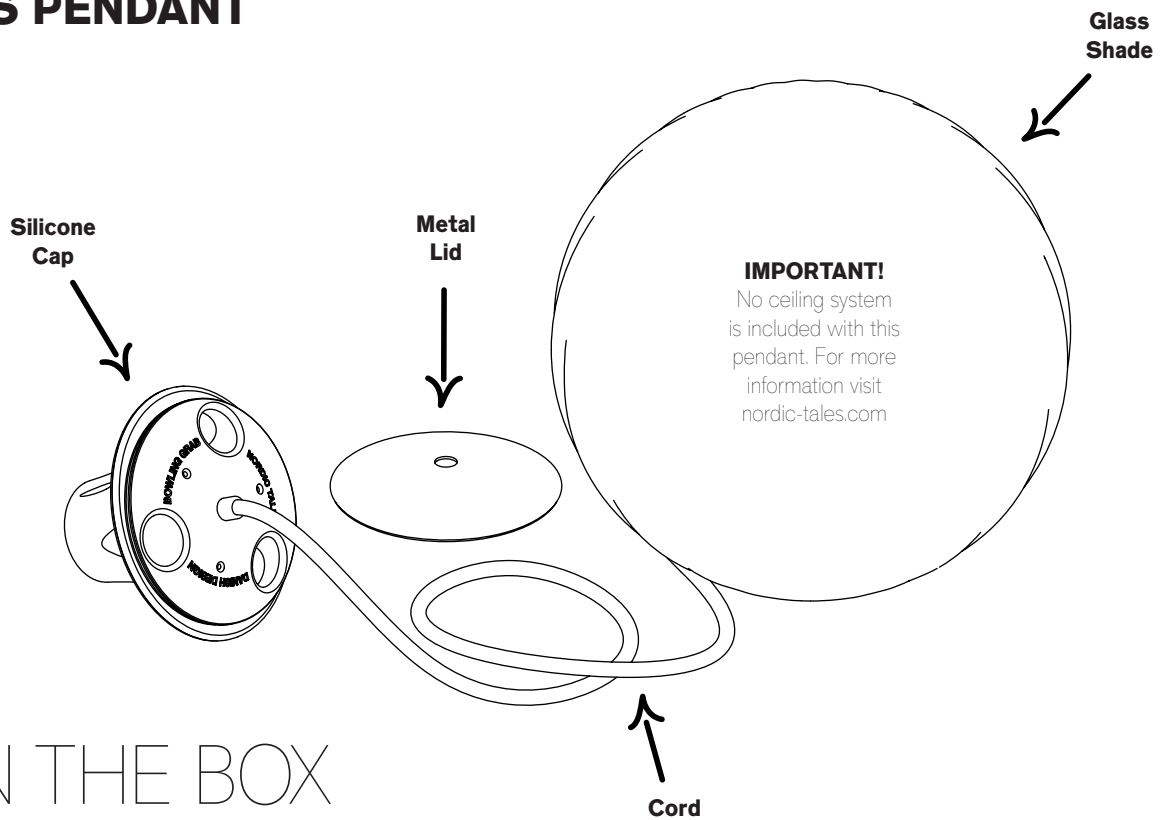
NORDIC TALES
TOP FLOOR
BRAMMERSGADE 6
AARHUS
DENMARK



NORDIC TALES
SCANDINAVIAN DESIGN TRADITIONS

BRIGHT MODECO

BRIGHT MODECO GLASS PENDANT



220-240V-50Hz, E27
Max 10 Watt (LED)

Please visit Nordic-tales.com for more
technical information or contact
customerservice@nordic-tales.com