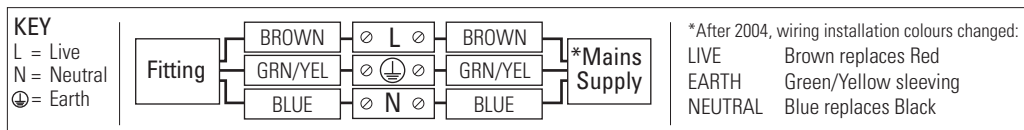


These instructions are provided for your safety in order to prevent the risk of Fire, Electric shock or Injury. It is vitally important that they are read in their entirety before installing your fitting. Please retain for future reference.

1. If you are in any doubt consult a qualified electrician as to the installation of the fitting. Install in accordance with current IEE wiring regulations. It is recommended that this fitting is installed by a qualified electrician.
2. Ensure that the electrical supply is OFF. Disconnect the electrical supply at the fuse-board.
3. If removing an existing fitting first, note all wiring connections: record which of the house wires is connected to the live, neutral and earth terminals.
4. Carefully identify where the supply cable is (and check there are no other cables in the area) to avoid damage to concealed wiring during installation.
5. Position the light where desired ensuring that there is suitable support adjacent to where you will connect to the house supply and mark position of fixing holes, before drilling appropriate holes as below.
6.
 - a. Brick or masonry: Drill holes into which the wall plugs tightly fit, then insert wall plugs.
 - b. Wood: No hole necessary (unless small pilot hole required), screws can be screwed directly into the timber.
 - c. Plaster/Cavity: Special cavity wall fittings are required, rather than provided fixings. These are widely available from good hardware or DIY store and should come with their own instructions that must be followed. It may be easier to relocate the fitting so that you screw directly into a timber joist or beam.
7. Support the fitting so that no strain is applied to the wiring when making the electrical connections. If necessary get a colleague to help.
8. Electrical connection: this light fitting must be earthed. Make connections following the diagram below, using the terminal block provided. A small flat-head screw driver is required.



9. To maintain the IP rating of this fitting, you must ensure that the electrical connection has suitable protection from water ingress, housing the connection in an IP rated junction box or sealing the backplate with silicone.
10. Ensure that all electrical connections are tight, with no loose strands of wire left out of the connectors, no wires are trapped behind or within the fitting and complete the installation, screwing the fitting to the mounting surface.
11. Fit the correct type and wattage of lamp (or less). Be careful not to overtighten the lamp.
12. Switch on at the fuse-board. Your light fitting is now ready for use.

Other Important Information

Switch off at mains before changing lamp(s). Never fit a lamp of greater wattage than recommended. Ensure children do not play with the light fitting. Dispose of old lamps carefully. Never leave a fitting without a lamp in position (or someone can accidentally touch the contacts). Adjust fitting only when power to the fitting is off and has been left to cool. If the electrical flex or electrical components become damaged at any point, power to the fitting should be disconnected immediately and not operated until the damaged parts are fixed/replaced.

Cleaning and Maintenance

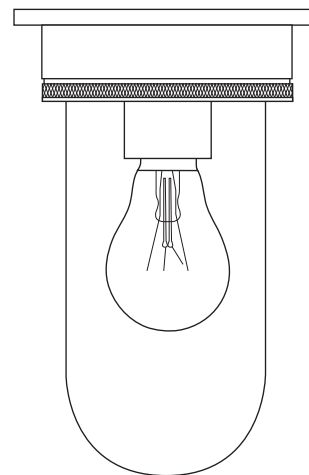
Metal finishes should only be cleaned with a soft, dry cloth. Do not use polishes or abrasives. Glass can be cleaned by hand, using a soft damp cloth with a diluted mild detergent (nonabrasive) or suitable glass cleaner if necessary. Switch off power to the fitting before cleaning. Spare parts are available for this product, please contact us on the details below.

Established in 1990, Original BTC manufactures relaxed, familiar lighting for traditional and contemporary homes. All products are hand-assembled in Oxford from high quality components, produced in the UK.

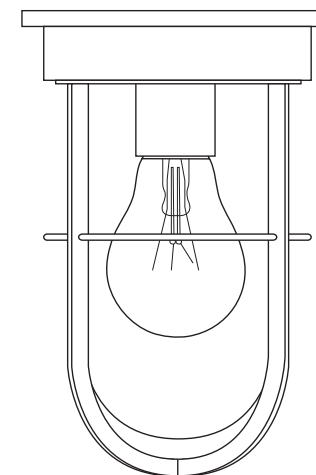
ORIGINALBTC.COM
 +44 (0)1993 882 251
 UNIT 21 / 22 AVENUE ONE, STATION LANE, WITNEY, OX28 4XZ, ENGLAND



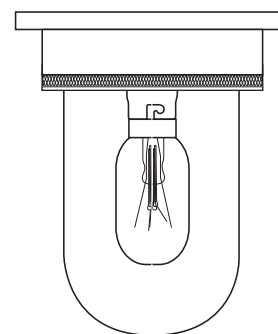
Instruction Manual



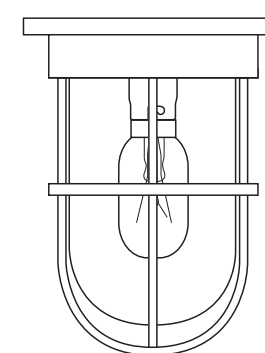
Ship's Companionway Light
7202/E27



Ship's Companionway Light
7203/E27



Miniature Ship's
Companionway Light
7202/M



Miniature Ship's
Companionway Light
7203/M

Ship's Ceiling Companionway Light | 230V ac 50Hz | IP54

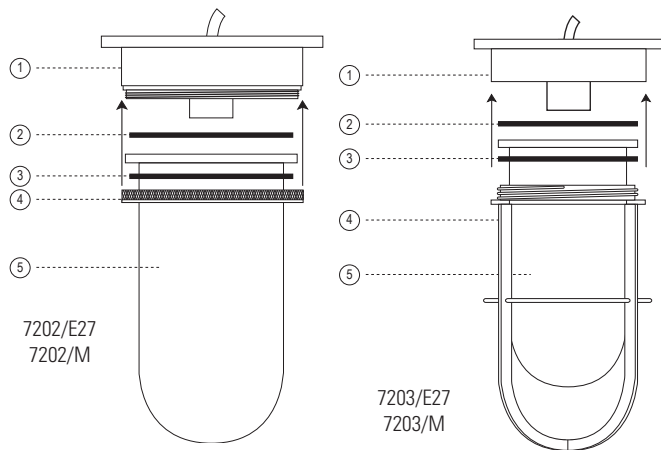
7202/E27 Ship's Companionway Light 7203/E27 Ship's Companionway Light
 7202/M Miniature Ship's Companionway Light 7203/M Miniature Ship's Companionway Light

LAMP GUIDANCE			
BASE	SHAPE	TYPE*	WATTAGE**
E27	GLS BALL	INCANDESCENT ✓	60W MAX
		CFL ✓	15W
		ECO-HALOGEN ✓	42W
		LED ✓	12W

* Warm white (2700k) low energy lamps recommended.
 ** Wattage value provided as a guide to suitable lamps. Lower wattage than stated may be used.

LAMP GUIDANCE			
BASE	SHAPE	TYPE	WATTAGE*
SBC	APPLIANCE	INCANDESCENT ✓	15W MAX
		CFL ✗	n/a
		ECO-HALOGEN ✗	n/a
		LED ✗	n/a

* Wattage value provided as a guide to suitable lamps. Lower wattage than stated may be used.

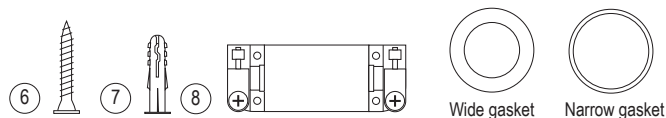


Contents

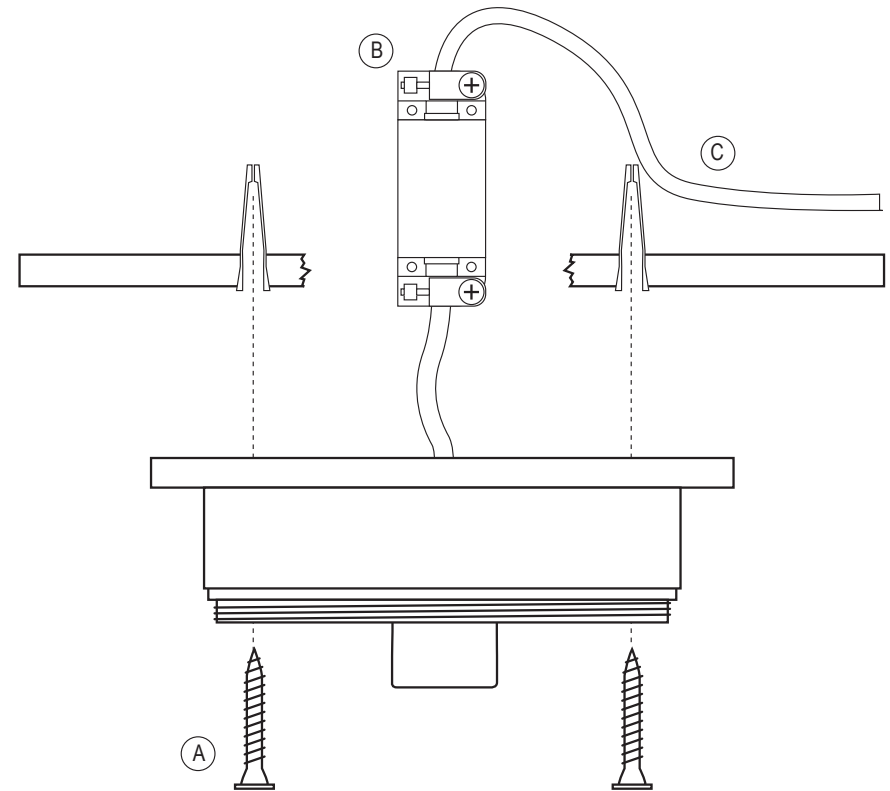
- 1 - Pan
- 2 - Wide gasket
- 3 - Narrow gasket
- 4 - Ring (7202)
- 4 - Guard (7203)
- 5 - Well glass
- 6 - 2 x Fixing screws
- 7 - 2 x Rawl plugs
- 8 - Connector block

Required for Installation

- Screwdriver, flat-head
- Small screwdriver, flat-head
- Drill (if holes are required)



Installation Diagram



- A FIXING SCREWS
- B CONNECTOR BLOCK
- C MAINS SUPPLY

PLEASE READ THE INSTRUCTIONS ON THE REVERSE BEFORE YOU BEGIN INSTALLING YOUR LIGHT

Installation and Assembly Instructions

Refer to diagrams above.

Disassemble the light prior to installing by removing ring/guard (4) and well glass (5) by unscrewing them from the pan (1). Once the lamp has been wired and the ceiling plate screwed to the ceiling (follow instructions overleaf), insert light bulb. The lamp can then be reassembled, screwing the guard/well glass into the pan, ensuring a tight fit. **DO NOT OVER TIGHTEN.**

If installing this light in an exterior or bathroom location:

- The fitting should be mounted on a smooth surface.
- A thin bead of silicone sealant should be applied around the pan (1) where it meets the ceiling to prevent any damage caused by moisture ingress and to maintain its IP rating.