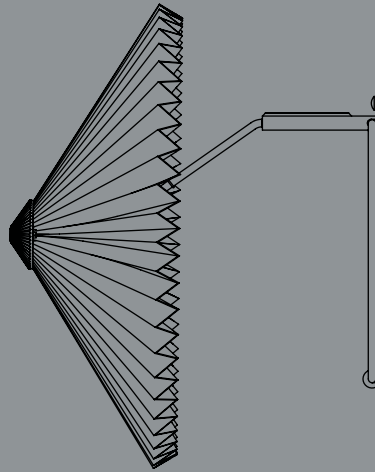


- INSTRUCTION MANUAL -

MATIN WALL



DESIGN BY INGA SEMPÉ

HAY

The Matin Wall Lamp offers a contemporary yet poetic design, with a construction that combines visual delicacy with physical robustness. The head of the lamp can be angled approximately 45 degrees both upwards and downwards to create an ambient uplight as well as directional downlight. The wall-mounted design consists of a steel wire bent frame finished in polished brass with matte black hardware and is paired with a pleated cotton shade in two sizes with a variety of vibrant colours. The light source is an integrated LED, offering a diffused light which is accompanied by a digital in-line dimmer control to adjust the output of light if required.

TECHNICAL DATA

This product is supplied with an integrated LED module (2800K warm white, 200-300 lumens). The expected lifespan of the LED module is 25,000 hours, which equates to 8-10 years of general use. When the light source reaches its end of life, the whole luminaire should be replaced.

ATTENTION

Ensure that the power supply to the circuit has clearly been turned OFF before installing the product. In some countries, electrical installation must be carried out by authorised electricians/contractors; please check with your local authority for guidance. The product must not be modified in any way. HAY accepts no responsibility for any products that have been modified or tampered with. The external flexible cable or cord of this luminaire cannot be replaced. If the cord is damaged, the luminaire should be replaced. This lamp is designed for indoor use only.

NOTE: This equipment has been tested and found to comply with the limits for a Class B digital device, pursuant to part 15 of the FCC Rules. These limits are designed to provide reasonable protection against harmful interference in a residential installation. This equipment generates, uses and can radiate radio frequency energy and, if not installed and used in accordance with the instructions, may cause harmful interference to radio communications. However, there is no

guarantee that interference will not occur in a particular installation. If this equipment does cause harmful interference to radio or television reception, which can be determined by turning the equipment off and on, the user is encouraged to try to correct the interference by one or more of the following measures:

- / Reorient or relocate the receiving antenna.
- / Increase the distance between the equipment and receiver.
- / Connect the equipment into an outlet on a different circuit to the one the receiver is connected to.
- / Consult the dealer or an experienced radio/TV technician for help.

Warning: Changes or modifications to this unit not expressly approved by the party responsible for compliance could void the user's authority to operate the equipment.

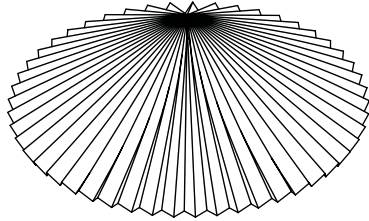
CARE AND MAINTENANCE

Do not use wet or damp cloths for cleaning and maintaining the shade. Please use a dry, lint-free cloth or duster to remove any dirt. The frame can be cleaned with a soft damp cloth and mild detergent, or a dry microfiber cloth. Do not use alcohol or any other solvents to clean the product and avoid using abrasive or rough sponges. Ensure that the power supply has been turned OFF before cleaning the product.

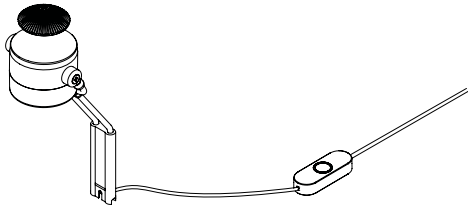


- PARTS -

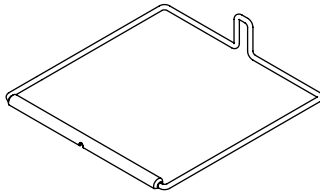
Shade
(comes in separate box)



Stem and Light Engine



Base



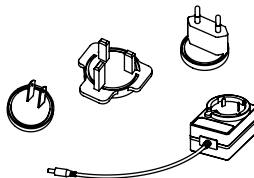
Wall Bracket and Screw



Allen Key

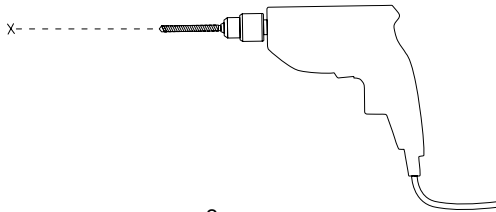


Transformer



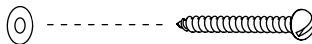
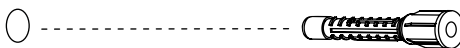
1.

Mark the position of where the lamp should be placed on the wall and drill a hole, using the correct type of drill for the wall you are drilling into.



2.

Insert the wall plug. Ensure you use the correct type of wall plug for the type of wall the lamp is to be mounted on. Once the wall plug is in place, you can insert the screw. Make sure you leave a small gap (approximately 3mm) between the screw head and the wall for the mounting bracket.

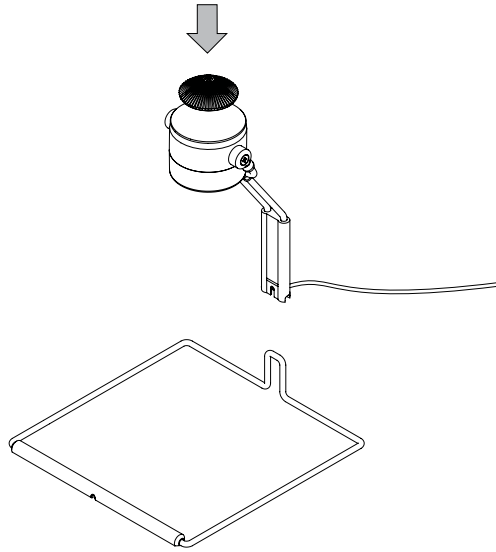


ATTENTION

Leave a 3mm gap between
screw head and wall

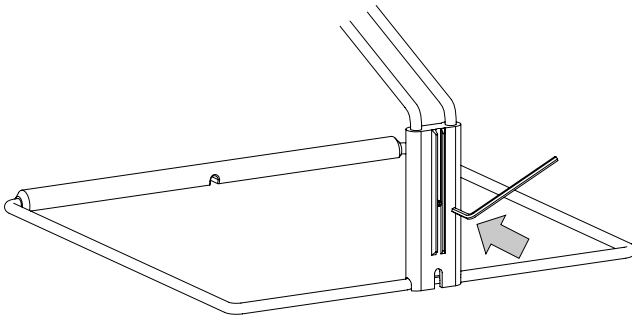
3.

Slide the stem onto the base, as pictured below.



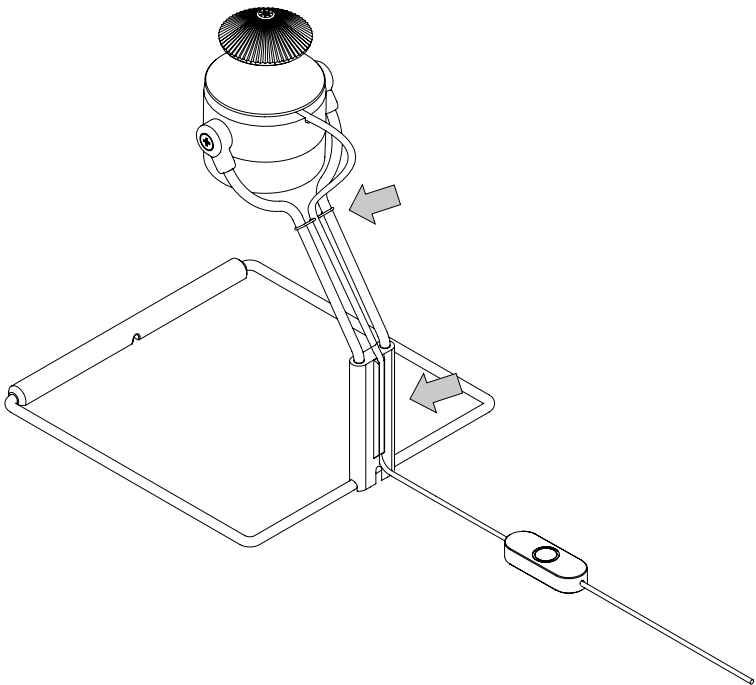
4.

Locate the supplied Allen key and tighten the fixed screw that is located on the back of the connecting piece, turning it clockwise.



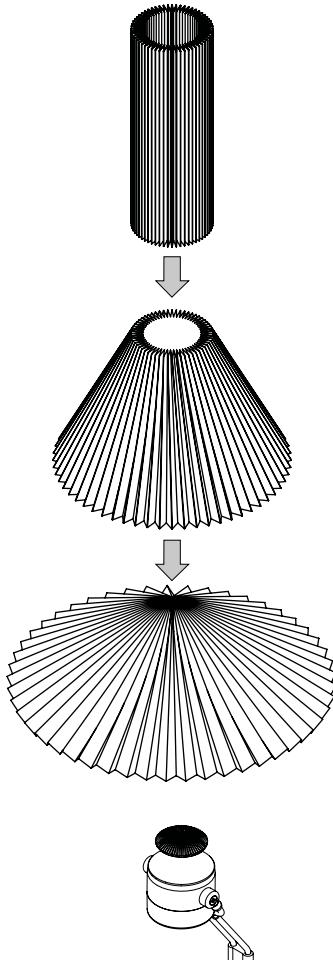
5.

Clip the cable into the cable clip, which is located on the stem, and into the groove on the back of the connecting piece at the bottom of the stem. Make sure you leave enough free cable for the head to move, as pictured below.



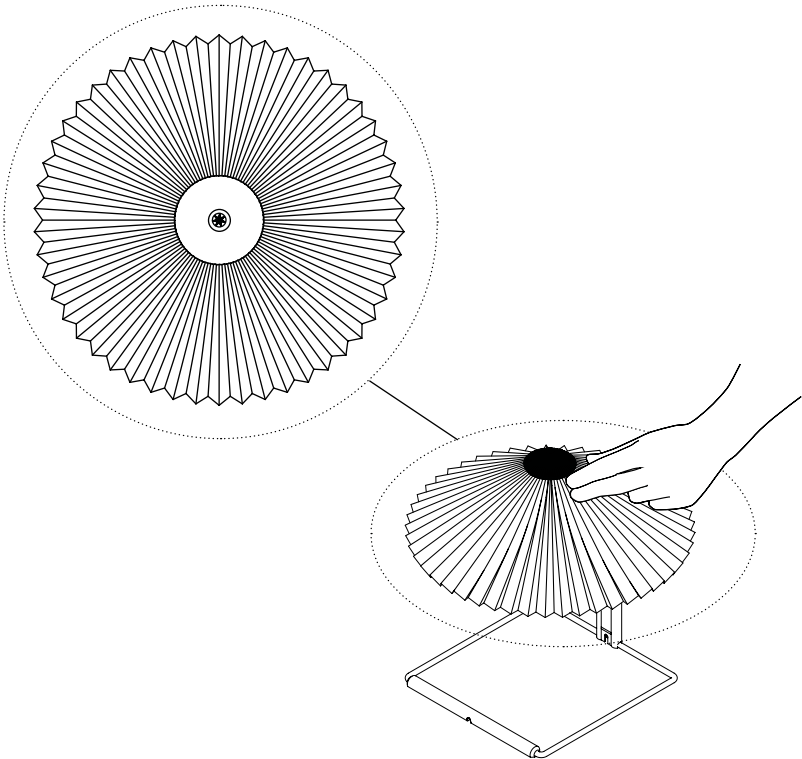
6.

Remove the shade from its packaging and spread out the bottom while simultaneously pushing it down over the top screw so that it rests on top of the top cap. Gently push the top of the pleated shade underneath the top screw, so that it is wedged between the top screw and top cap.



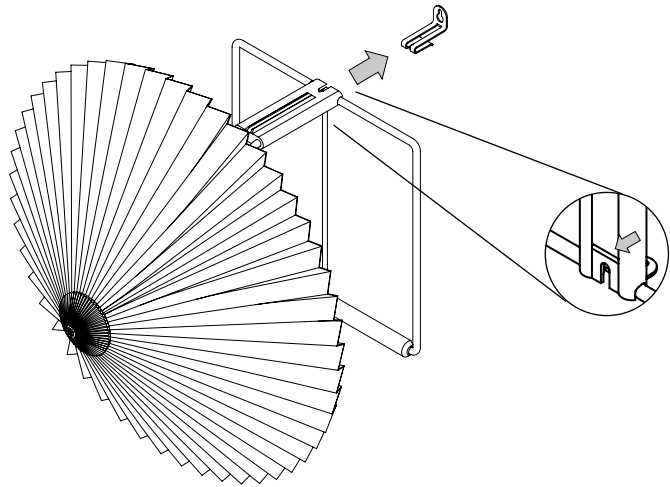
7.

Once the shade is in place, gently adjust the pleats at the top so that they are evenly spread out, as shown below. Once the shade resembles the illustration below, the top screw can be fully tightened.



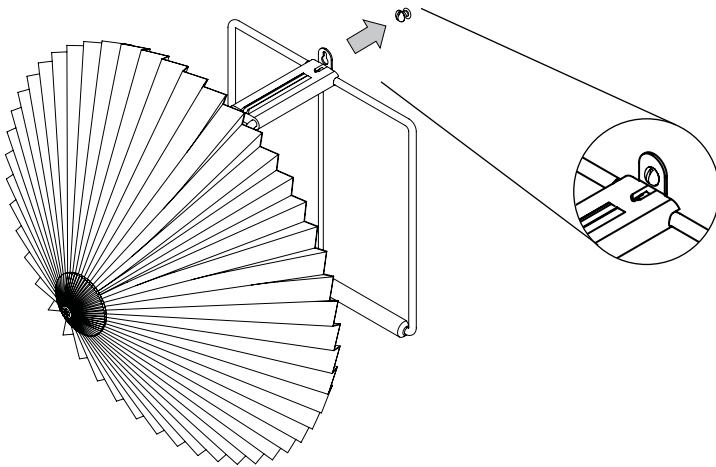
8.

Insert the wall bracket into the end of the plastic connector, making sure to push it all the way in. The wall bracket should grip inside the small slot on the bottom of the plastic connector. If you wish to remove the wall bracket, a flat screwdriver can be inserted into the slot, releasing the wall bracket.



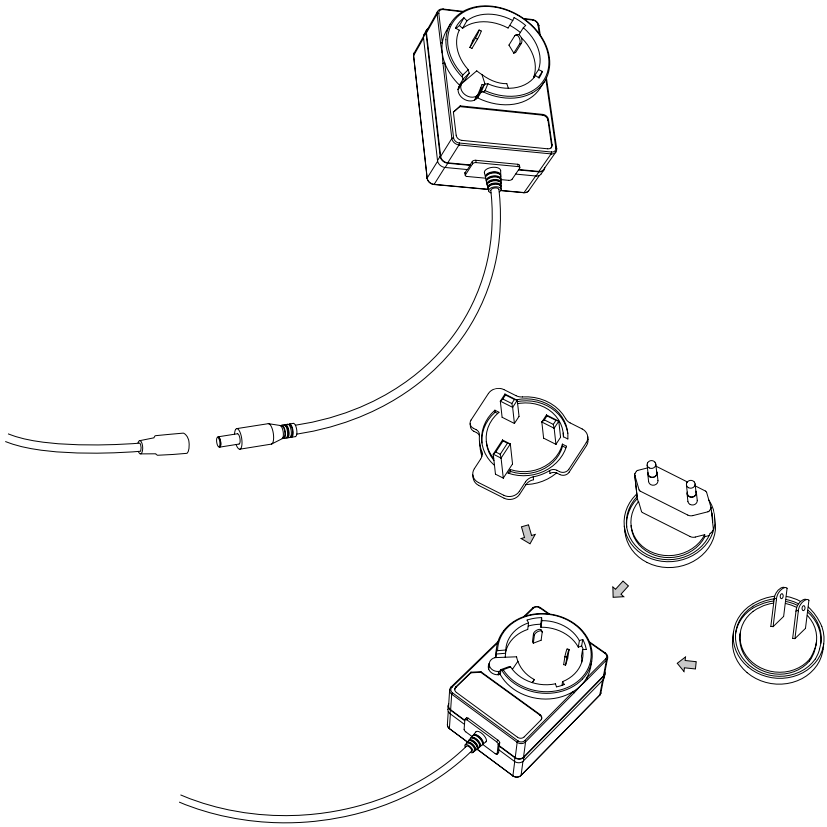
9.

Once the wall bracket has been properly mounted, the lamp can be hung on the wall. Place the screw head through the keyhole on the wall bracket and slide the lamp downwards. The screw can now be properly tightened, making sure that the lamp is firmly in place.



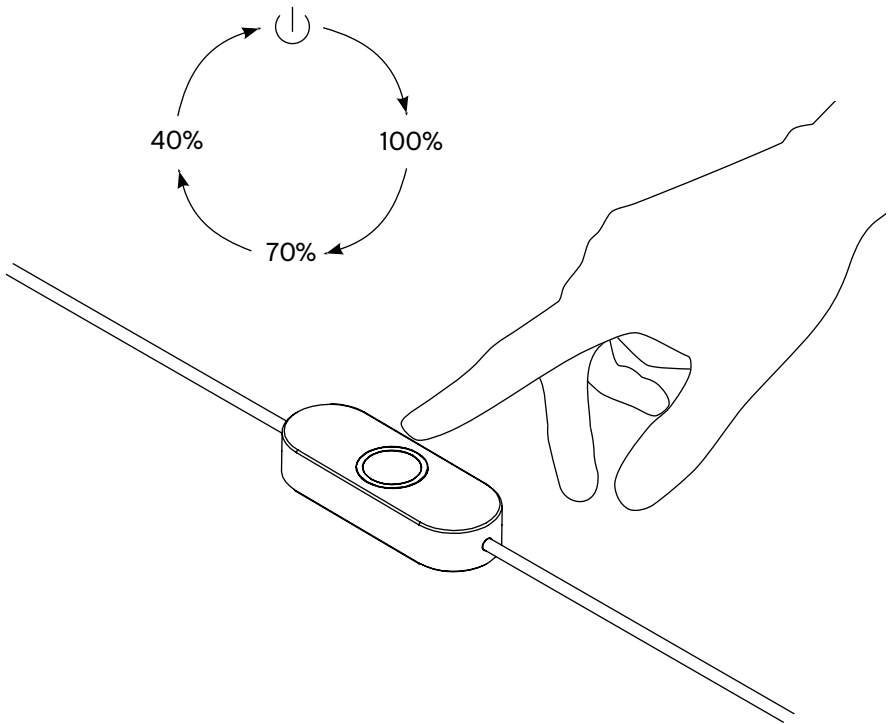
10.

Plug the trailing cable into the power supply. Attach the correct adapter for your region. The lamp is now ready to use.



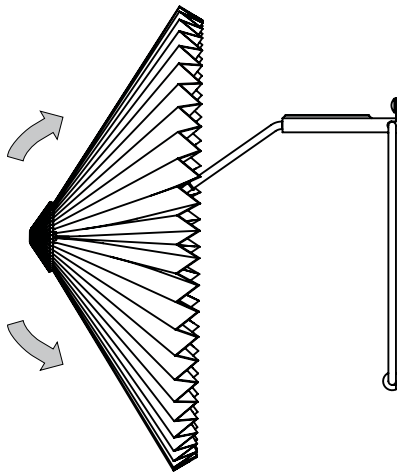
11.

The lamp's inline switch has a three-setting dimmable feature. The first push sets the lamp to maximum brightness, the second push sets it to medium brightness and the third push sets it to lowest brightness. A fourth push will turn the lamp off.



12.

The lamp head can be tilted at an angle of approximately 45 degrees upwards and downwards.



Havnen 1 8700 Horsens Denmark
+45 4282 0282 / hay@hay.com

711 Canal St. 3rd Floor Stamford CT 06902 United States
www.hay.com

15/12/2020

HAY