



Hartau wall short

Assembly instructions



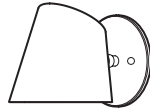
Attention: Read and understand these instructions before installing fixture. This fixture is intended for installation in accordance with National Electric Code and local regulation : to assure full compliance with local code and regulations, check with your local electric inspector before installation. This equipment is guaranteed only when used as indicated in the instructions; therefore they should be kept for future reference. Install where luminaire will be protected from likely damage. This fixture is ceiling mounted only.

Your box should contain

2x threaded studs
2x caps



1x assembled luminaire



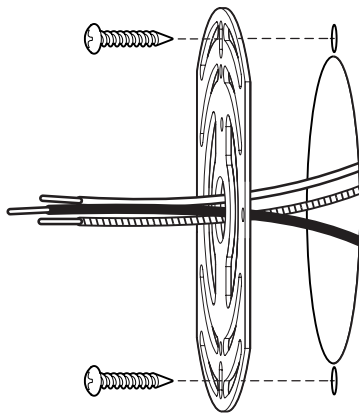
2x cotton gloves



Tools needed, not included

- Junction box and screw
- Flat head screwdriver
- Wire connectors

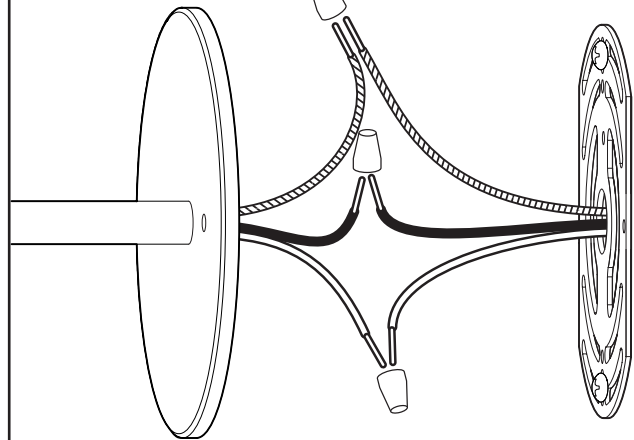
1 Remove the mounting plate from the canopy and use appropriate achors and screws (not included) to fasten the universal plate for your installation



Unpack all components from the box and dispose of the packaging. Please recycle.

2 First, connect the two ground cables (green cables) together. Then, connect the live and neutral wires.

Ceiling wires	Fixture wires
	120V 220V
Live	Black Brown
Neutral	White Blue
Ground	Green



(Shut off main power at the circuit breaker panel)

3 Install the luminaire by screwing the threaded studs thru the canopy in the mounting plate.

Carefully push the wires into the hole of the mounting plate in the junction box.

Place the caps on the threaded studs and tighten them.

