

Safety instructions

Important! Before commencing installation work disconnect the main cable from the power supply - remove fuse or turn switch to "OFF"!

1. Installation should be carried out in accordance with the local safety regulations.
2. In order to prevent damage, please check walls for cables before drilling holes.
3. Please ensure that all electrical connections (even preassembled lamps) are screwed tightly or are fully inserted as good contact is essential for a long life-span at high currents. Please check for tight connections after changing or adjusting lamps. Screwed connections must be tightened after 20 minutes.
4. Please do not place objects on your system (e.g. for decorative purposes) if they were not delivered with the system.
5. The lamps get very hot when in use. Please allow lamps to cool down before touching.
6. Do not change lamps or spots when switched on.
7. System should not be enlarged with additional lamps.
8. Use of a dimmer is highly recommended. Dimmer must be compatible with type of bulb.
9. If the external flexible cable or cord of this luminaire is damaged, it shall be exclusively replaced by the manufacturer or his service agent or a similar qualified person in order to avoid a hazard.
10. The glass used for this lamp is hand-blown. Only 1st. quality has been chosen. Air bubbles and variations in thickness and colour is normal.
11. We reserve the right to make technical alterations.

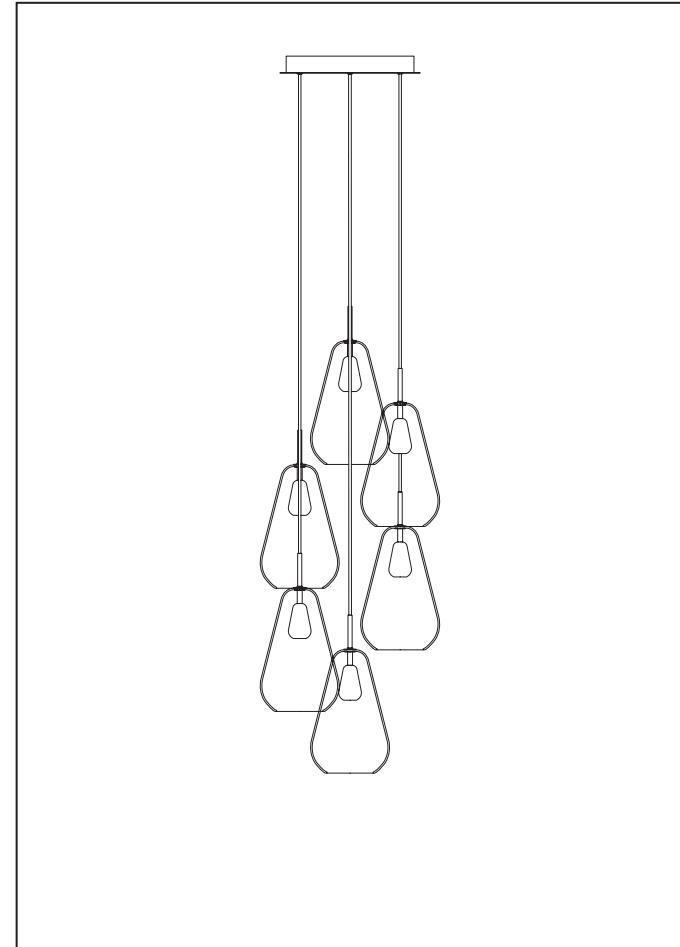
Please keep these instructions.

Fitting: E14

2021-06-10 EU

Anoli 6

Assembly Instructions



NUURA

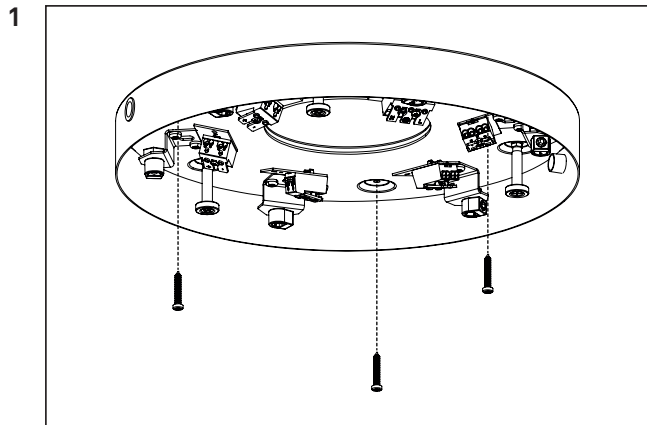
www.nuura.com
info@nuura.com

© 2018 All rights reserved

CE

NUURA

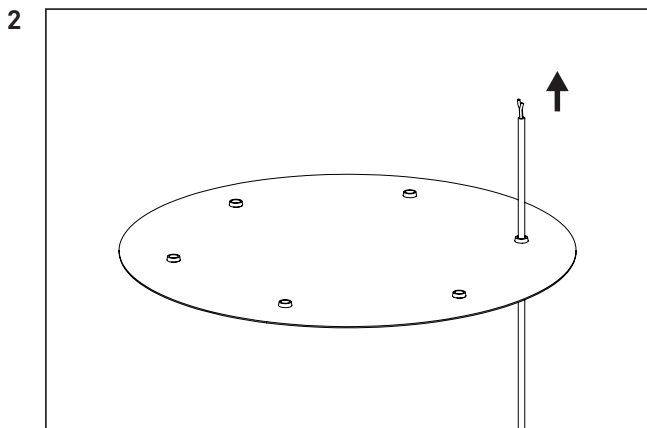
© 2018 All rights reserved



1 Mount the ceiling plate to the ceiling with screws.

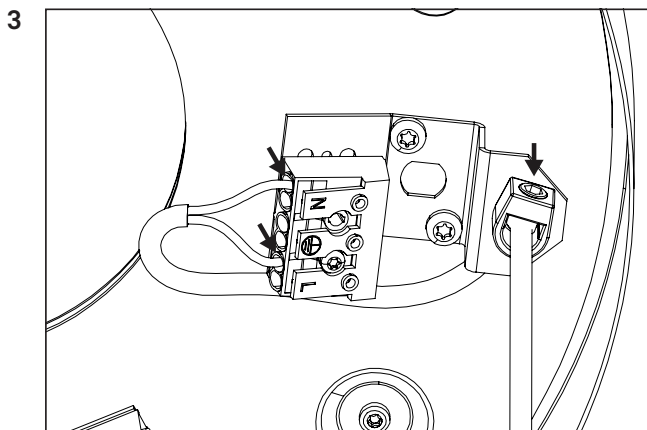
Make sure to use appropriate screws and rawlplugs/anchors for your construction.

Please make sure the lamp is fixated properly.



2 Lead the cable from one of the lamps through the cover plate.

Make sure the right side is up.

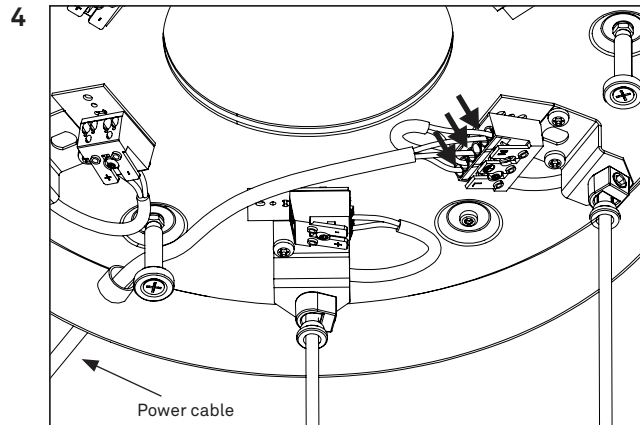


3 Lead the cable through the cable relief and fixate the cable by turning the screw clockwise. Be sure to tighten the screw carefully.

For the 3 pole cable terminal, place the brown wire-end in one of the two holes in "L", place the blue wire-end in one of the two holes in "N".

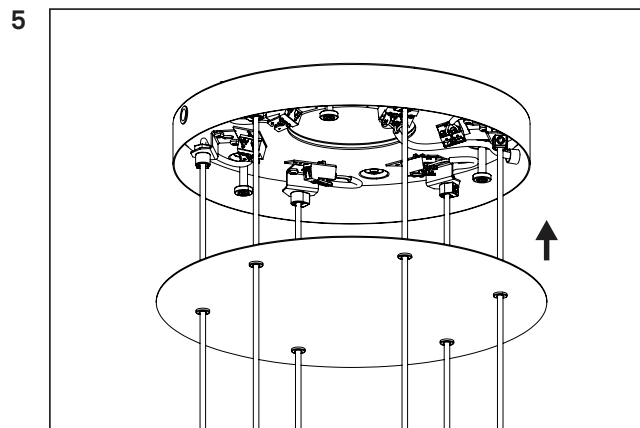
For the 2 pole cable terminals, place the brown wire-end in one of the two holes in "+", place the blue wire-end in one of the two holes in "-".

Repeat step 2 and 3 for the two other lamps.



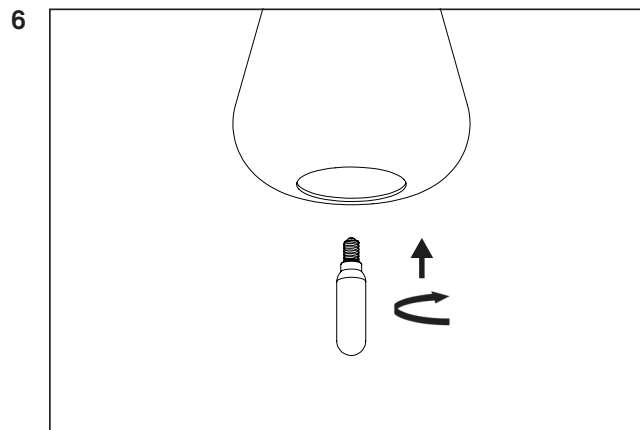
4 Lead the power cable into the ceiling plate either from the ceiling or if surface mounted cable, through the hole in the side.

Connect the wire-ends to one of the cable connectors. Match the brown wire with "L" the blue wire with "N" and the green/yellow wire with the grounding symbol.



5 Attach the cover plate to the ceiling plate by carefully sliding it up and let the magnets fixate the cover plate to the ceiling plate.

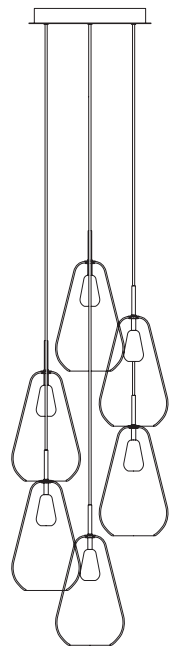
NB: Place your hands on the side or bottom of the cover plate, when sliding it up towards the ceiling plate.



6 Place a E14 light bulb in the socket. The bulb is NOT included.

A recommended light bulb can be found on www.nuura.com

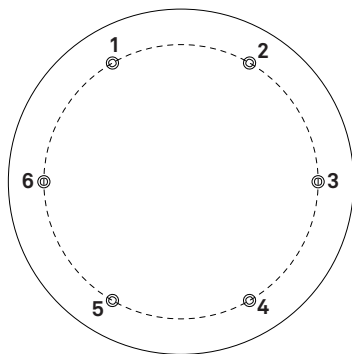
Complete.



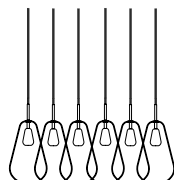
Short random formation

Instruction: To adjust the cables in short random formation, please cut the cables in the following lengths:

- 1: 250cm / 98,4 in
- 2: 205cm / 80,7 in
- 3: 235cm / 92,5 in
- 4: 190cm / 74,8 in
- 5: 220cm / 86,6 in
- 6: 175cm / 68,9 in



Lead the wires in through the holes starting with nr. 1.
Place clockwise.

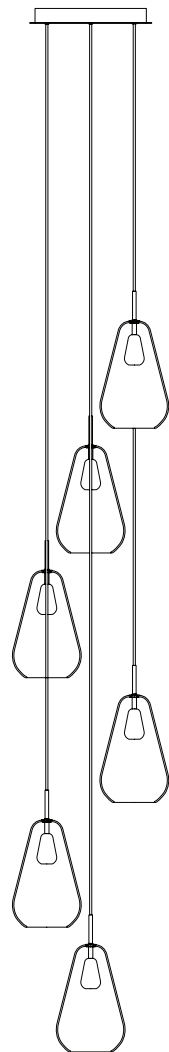


All standard cables are the same length:

250cm / 98,4 in.

If desired, adjust the length of the cables by shortening them.

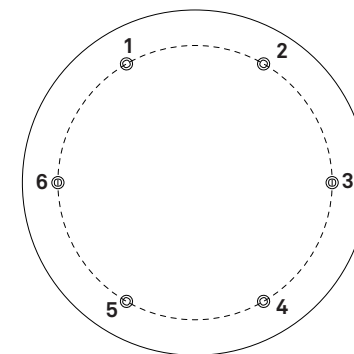
NB. Cut off the same length of each cable for keeping the formation!



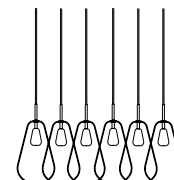
Long random formation

Instruction: To adjust the cables in long random formation, please cut the cables in the following lengths:

- 1: 250cm / 98,4 in
- 2: 130cm / 51,2 in
- 3: 210cm / 82,7 in
- 4: 90cm / 35,4 in
- 5: 170cm / 66,9 in
- 6: 50cm / 19,7 in



Lead the wires in through the holes starting with nr. 1.
Place clockwise.



All standard cables are the same length:

250cm / 98,4 in.

If desired, adjust the length of the cables by shortening them.

NB. Cut off the same length of each cable for keeping the formation!