

Safety instructions

Important! Before commencing installation work disconnect the main cable from the power supply - remove fuse or turn switch to "OFF"!

1. Installation should be carried out in accordance with the local safety regulations.
2. In order to prevent damage, please check walls for cables before drilling holes.
3. Please ensure that all electrical connections (even preassembled lamps) are screwed tightly or are fully inserted as good contact is essential for a long life-span at high currents. Please check for tight connections after changing or adjusting lamps. Screwed connections must be tightened after 20 minutes.
4. Please do not place objects on your system (e.g. for decorative purposes) if they were not delivered with the system.
5. The lamps get very hot when in use. Please allow lamps to cool down before touching.
6. Do not change lamps or spots when switched on.
7. System should not be enlarged with additional lamps.
8. Use of a dimmer is highly recommended. Dimmer must be compatible with type of bulb.
9. If the external flexible cable or cord of this luminaire is damaged, it shall be exclusively replaced by the manufacturer or his service agent or a similar qualified person in order to avoid a hazard.
10. The glass used for this lamp is hand-blown. Only 1st. quality has been chosen. Air bubbles and variations in thickness and colour is normal.
11. We reserve the right to make technical alterations.

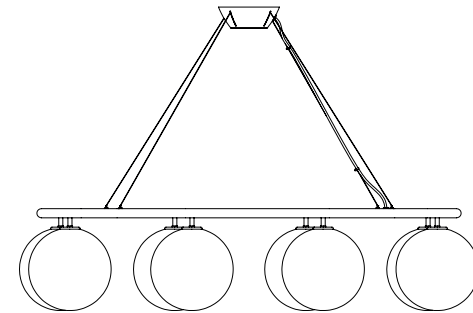
Please keep these instructions.

Fitting: G9

2023-01-06 EU

Miira 8 Oval

Assembly Instructions



NUURA

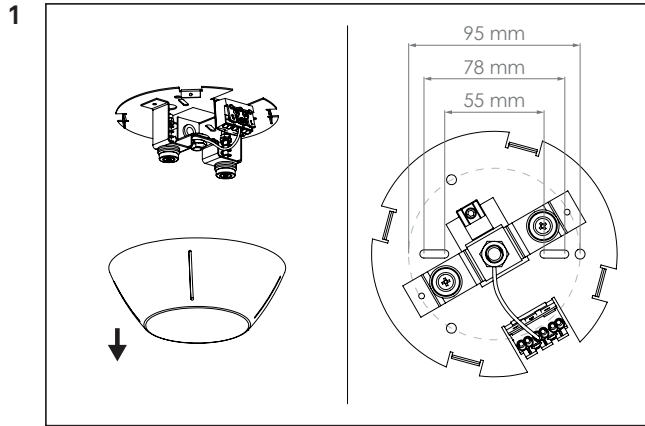
www.nuura.com
info@nuura.com



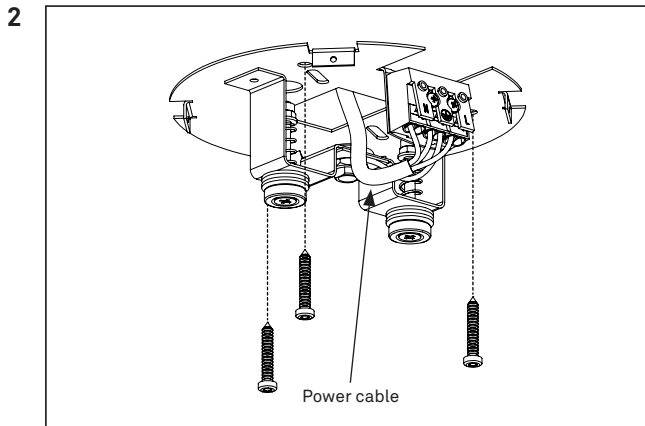
© 2023 All rights reserved

NUURA

© 2023 All rights reserved



Pull cover plate away from mounting bracket. It is attached with strong magnets and might require some force.

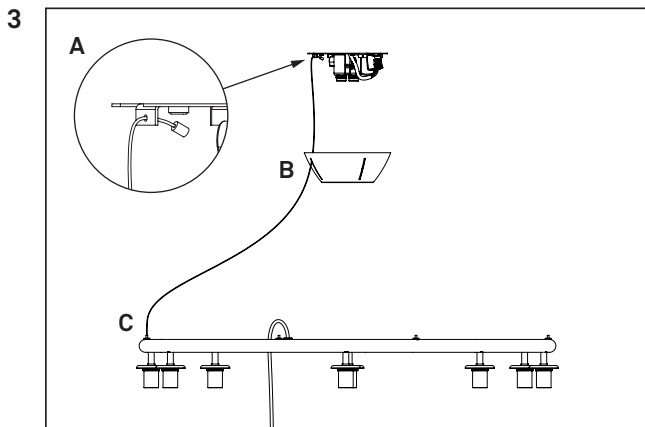


Attach the mounting bracket to the ceiling.

Make sure to use appropriate screws and rawplugs/anchors for your construction.

Please make sure the bracket is fixated properly.

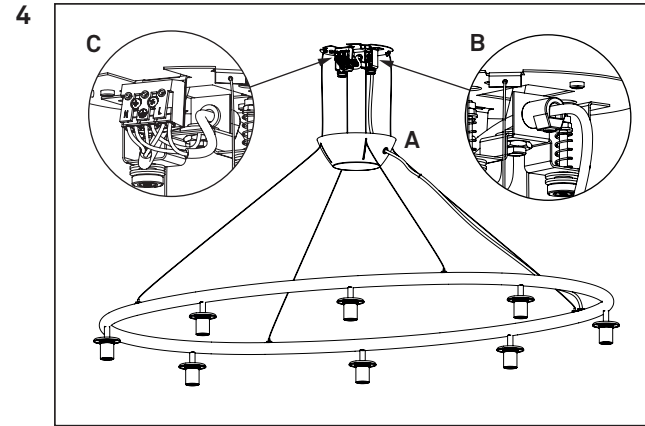
Connect the cable-ends of the power cable to the cable terminal. Match the brown wire with "L", the blue wire with "N" and the green/yellow wire with the grounding symbol.



Lead the suspension wires through the mounting bracket (A), cover plate (B) and into wire lock on the ring (C). The wire locks automatically prevent the wire from coming out.

Place the o-rings on the wire closest to the cable on the ring.

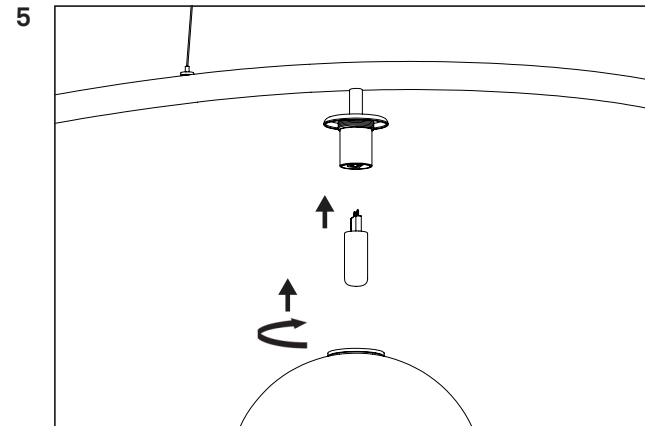
When all four (4) wires are installed, the lamp can be adjusted close to its final position. The final position will be adjust as the last step of the installation process.



Push the lamp cable through the cover plate (A) and strain relief on the mounting bracket (B). Connect the cable-ends to the cable terminal (C).

Tighten the strain relief to secure the cable.

Place the cover plate back over the mounting bracket. Be careful, the strong magnets snap the cover in place.

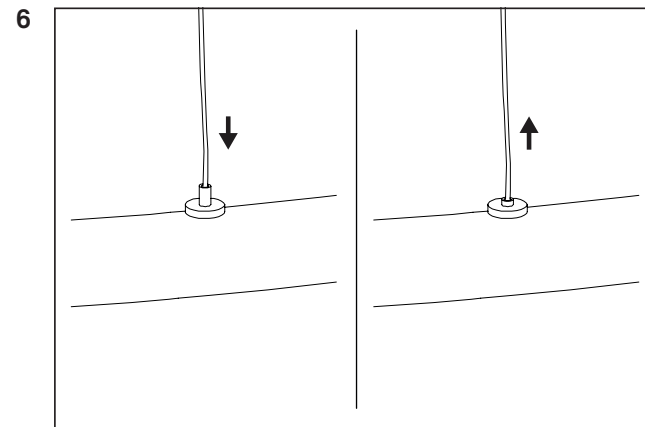


Place a G9 light bulb in the socket. The bulb is NOT included.

A recommended light bulb can be found on www.nuura.com

Carefully place the glass globe over the light bulb. Turn clockwise to attach the glass globe.

IMPORTANT: Do NOT over tighten, the glass may fracture.



Adjust the lamp to its final position. It is recommended to use a spirit level.

Push down the pin on the wire locks to pull out wire.

Complete.