

Safety instructions

Important! Before commencing installation work disconnect the main cable from the power supply - remove fuse or turn switch to "OFF"!

1. Installation should be carried out in accordance with the local safety regulations.
2. In order to prevent damage, please check for cables before drilling holes.
3. Please ensure that all electrical connections (even preassembled lamps) are screwed tightly or are fully inserted as good contact is essential for a long life-span at high currents. Please check for tight connections after changing or adjusting lamps. Screwed connections must be tightened after 20 minutes.
4. Please do not place objects on your system (e.g. for decorative purposes) if they were not delivered with the system.
5. The lamps get very hot when in use. Please allow lamps to cool down before touching.
6. Do not change lamps or spots when switched on.
7. System should not be enlarged with additional lamps.
8. Use of a dimmer is highly recommended. Dimmer must be compatible with type of light source.
9. To avoid greasy fingerprints it is recommended to wear white cotton gloves when handling visible metal and glass parts.
10. If the external flexible cable or cord of this luminaire is damaged, it shall be exclusively replaced by the manufacturer or his service agent or a similar qualified person in order to avoid a hazard.
11. The glass used for this lamp is hand-blown. Only 1st quality has been chosen. Air bubbles and variations in thickness and colour is normal.
12. We reserve the right to make technical alterations.

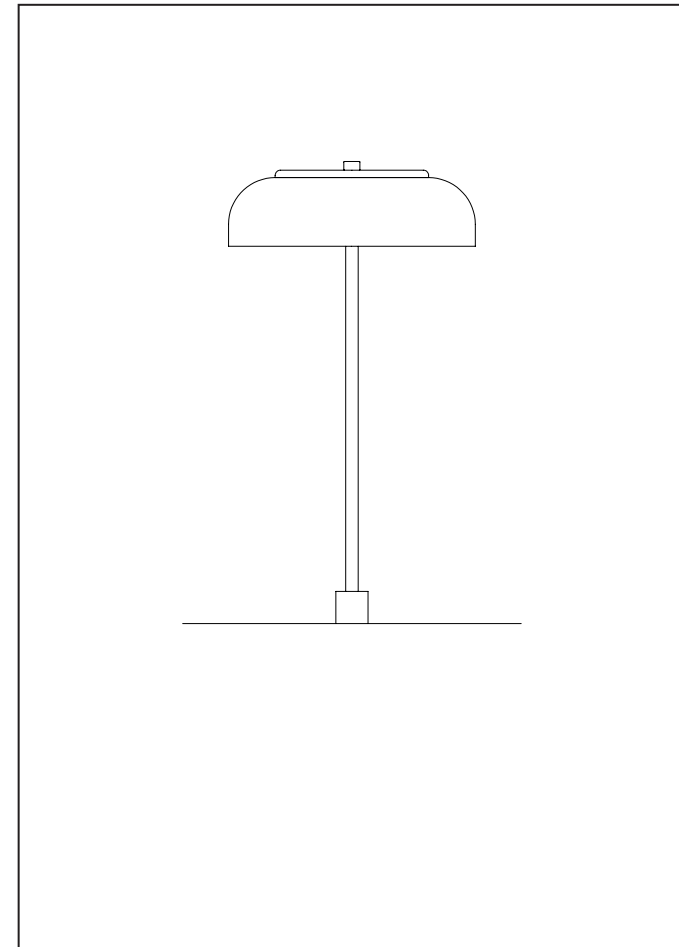
Please keep these instructions.

Fitting: Replaceable LED-module (D60-2835-3C6B-12V-6W)

2023-09-21 EU

Blossi Table In-set

Assembly Instructions



NUURA

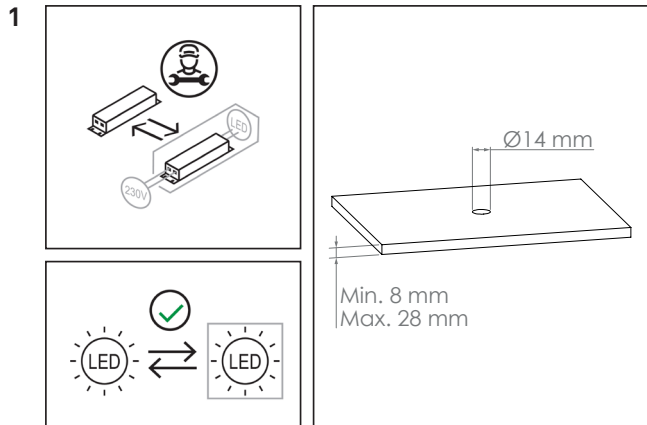
www.nuura.com
info@nuura.com

© 2020 All rights reserved



NUURA

© 2020 All rights reserved

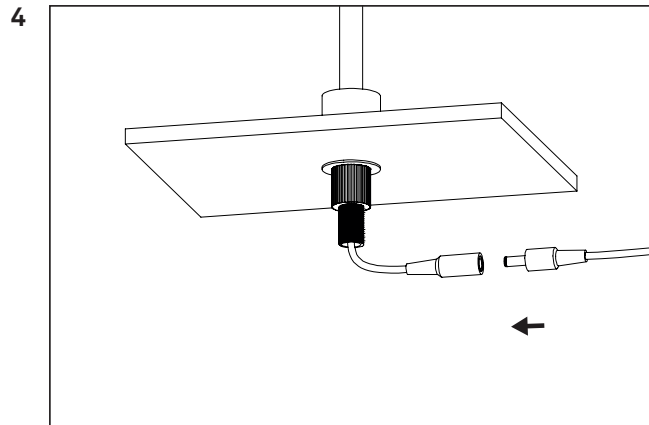


Driver must be replaced by professional.

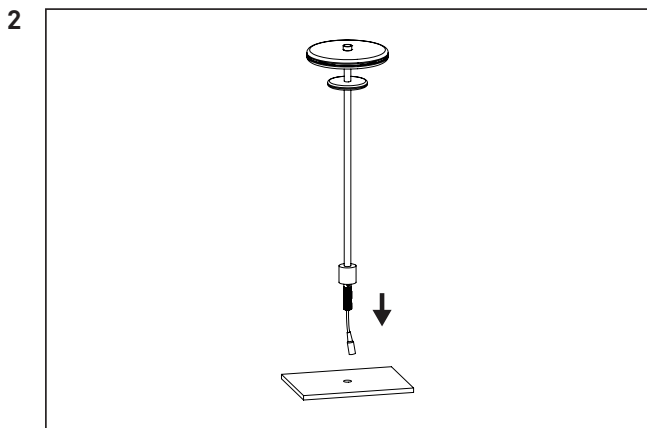
LED-module replaceable by end-user. Instructions at www.nuura.com.

The thickness of the mounting surface can be minimum 8mm and maximum 28mm.

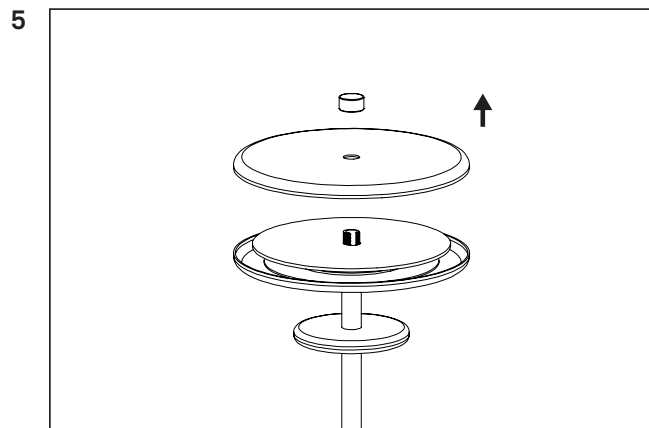
Drill a Ø14mm hole in the surface you would like to mount the lamp to.



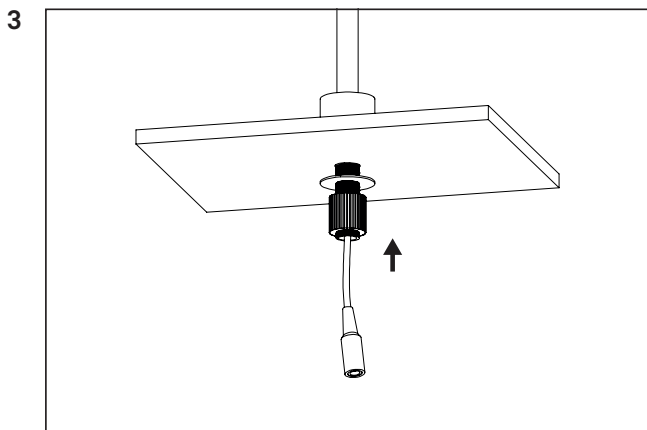
Connect the power cable.



Place the threaded part in the bottom of the lamp into the hole.

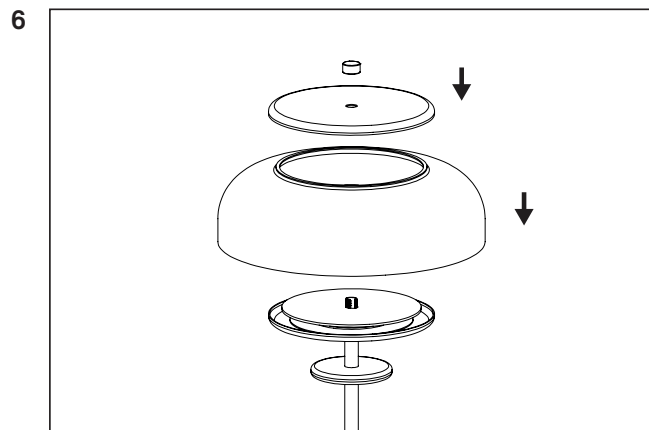


Unscrew the finger screw on top of the lamp and remove the cover plate.



Place the washer and the hand screw over the cable and tighten against the mounting surface.

Make sure the lamp is mounted properly by carefully rocking the lamp a bit and then tighten the hand screw again.



Place the glass over the top followed by the cover plate.

Finish the installation by tightening the finger screw on the top.