

Safety instructions

Important! Before commencing installation work disconnect the main cable from the power supply - remove fuse or turn switch to "OFF"!

1. Installation should be carried out in accordance with the local safety regulations.
2. In order to prevent damage, please check walls for cables before drilling holes.
3. Please ensure that all electrical connections (even preassembled lamps) are screwed tightly or are fully inserted as good contact is essential for a long life-span at high currents. Please check for tight connections after changing or adjusting lamps. Screwed connections must be tightened after 20 minutes.
4. Please do not place objects on your system (e.g. for decorative purposes) if they were not delivered with the system.
5. The lamps get very hot when in use. Please allow lamps to cool down before touching.
6. Do not change lamps or spots when switched on.
7. System should not be enlarged with additional lamps.
8. Use of a dimmer is highly recommended. Dimmer must be compatible with type of bulb.
9. To avoid greasy fingerprints it is recommended to wear white cotton gloves when handling visible metal and glass parts.
10. If the external flexible cable or cord of this luminaire is damaged, it shall be exclusively replaced by the manufacturer or his service agent or a similar qualified person in order to avoid a hazard.
11. We reserve the right to make technical alterations.

Please keep these instructions.

2023-07-11 EU

NUURA

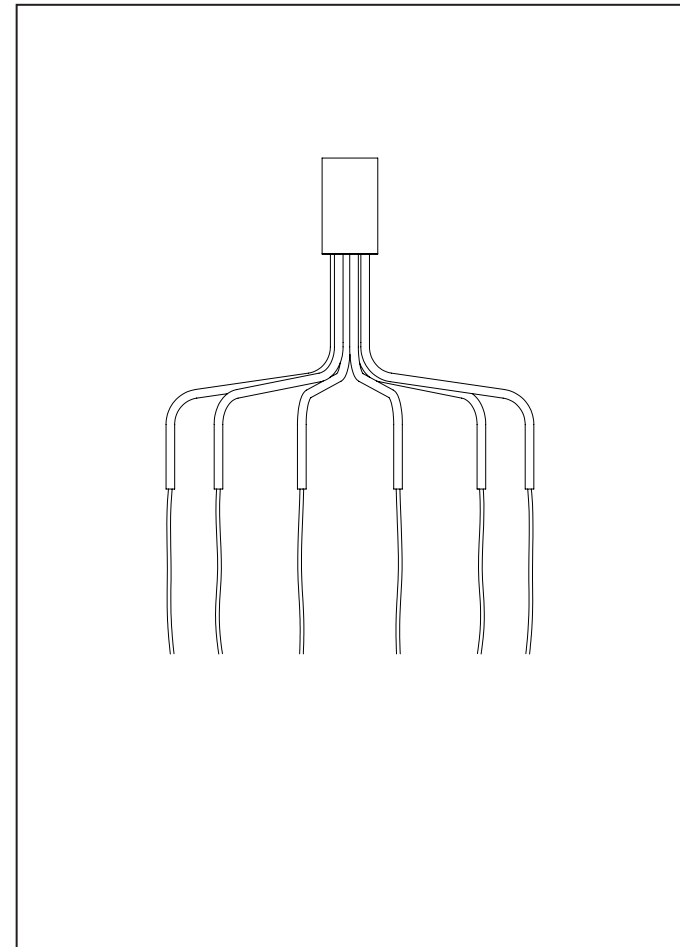
www.nuura.com
info@nuura.com

© 2023 All rights reserved



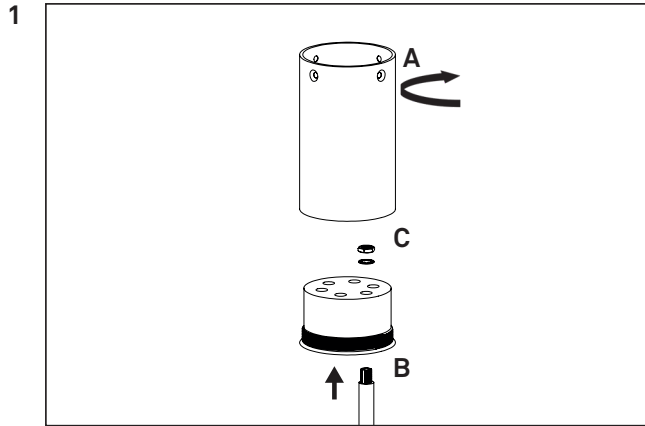
Cluster 6

Assembly Instructions



NUURA

© 2023 All rights reserved

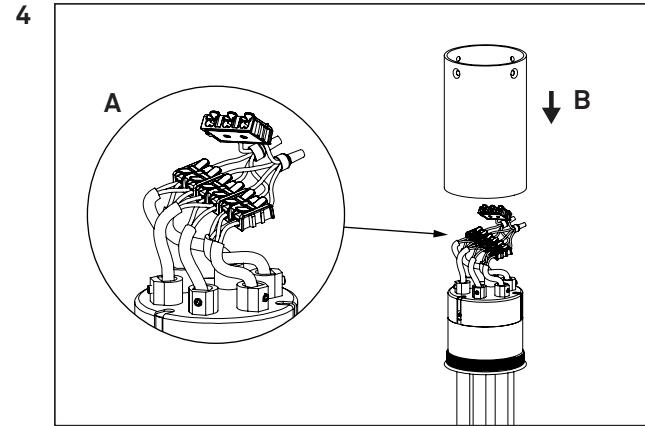


A: Disassemble canopy by unscrewing the tube around the canopy.

B: Insert the arm into the base.

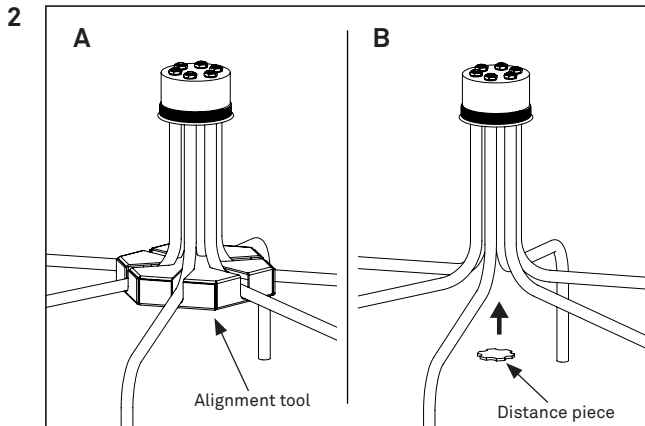
C: Loosely tighten the arm in place with a washer and nut.

Repeat B-C for all 6 arms.



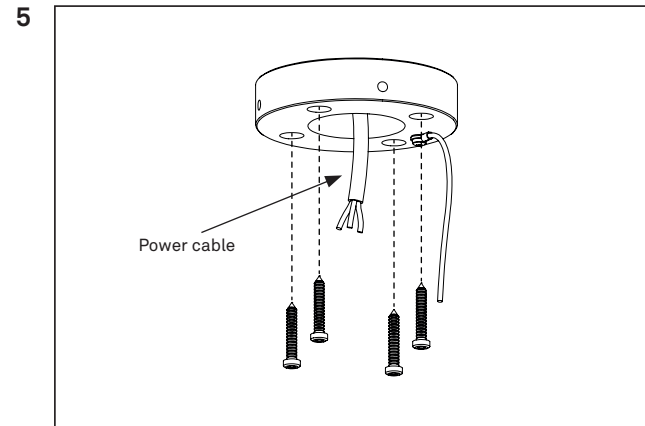
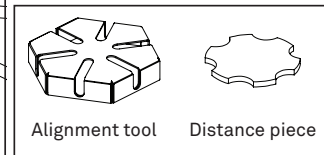
A: Shorten the pendant cables and connect the cables in the 2 pole cable terminals.

B: Refit the tube over the canopy base.



A: Use the cardboard alignment tool to ensure even distance between the arms. Tighten the nuts to lock the arms in place.

B: Insert the distance piece just above the bend on the arms.

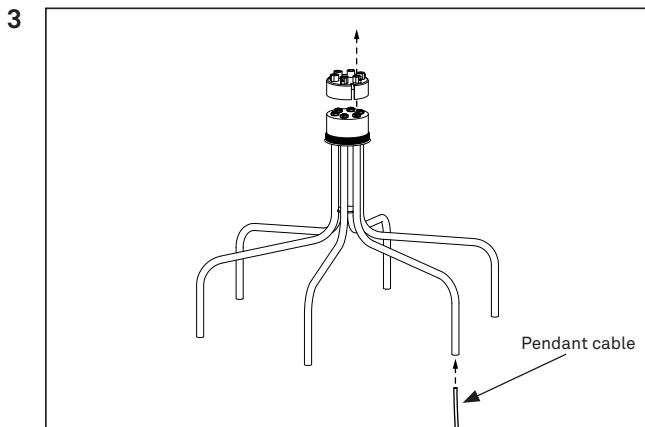


Mount the mounting bracket to the ceiling with screws. (Not included)

Make sure that the construction above the lamp is strong enough and to use appropriate screws and rawplugs/anchors.

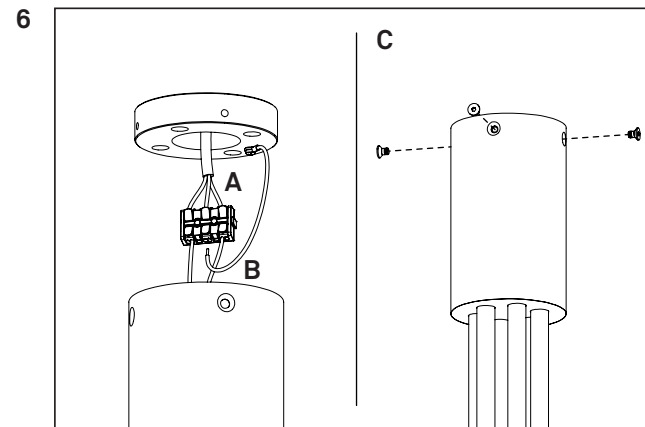
Total weight up to 25 kg. (maximum 3.5 kg per pendant)

Please make sure the bracket is fixated properly.



Push the pendant cable through the arms and the strain reliefs.

Adjust the length of the cables and tighten the strain reliefs to lock length in place.



A: Connect the power cable to the 3 pole cable terminal.

B: Connect the mounting bracket grounding cable to the cable terminal.

C: Push the canopy over the mounting bracket. Lock the canopy in place with the 4 included bolts.

Complete the installation by following the pendant instructions.