



BELLEVUE AJ4

by Arne Jacobsen

ASSEMBLY INSTRUCTIONS

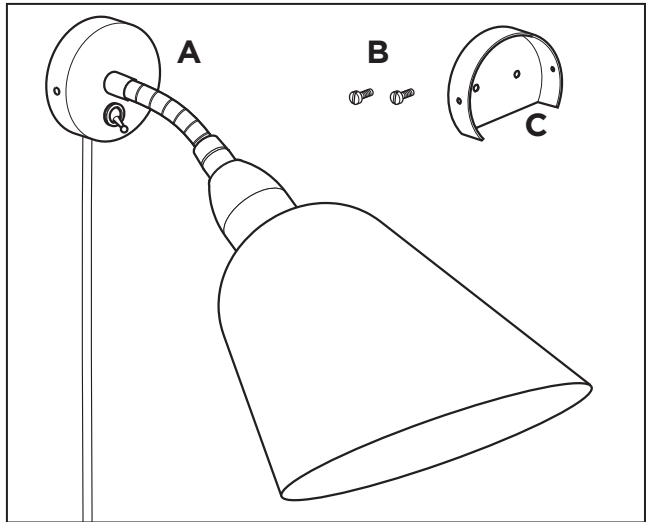
andtradition.com

Congratulations on choosing this Bellevue wall lamp, designed by Arne Jacobsen in 1929. We hope you will enjoy using this lamp and follow these instructions to ensure correct installation. If you have any questions or comments, please do not hesitate to contact us by mail on: info@andtradition.dk

Contents:

- A** - Wall lamp fitted with 3 meter cord.
- B** - 2 x screws for wall bracket.
- C** - Wall-bracket.

Please read these instructions carefully and retain them for future reference to ensure that the lamp is correctly installed should it be moved or sold. For your own safety, please study each step of this instruction manual before you commence installation. &Tradition are not responsible for any faults or damages caused by not following these instructions correctly. Do not modify this lamp in any way.



Installation Suggestions:

The Bellevue wall lamp is ideal as a reading lamp for the bedroom, office or living room. The flexible goose-neck design keeps the shade in place exactly where you need the light directed. Combine this lamp with the floor and table versions and visit our website for more inspiration: www.andtradition.com

Tools Needed:

- Correct screws and plugs for the specific wall type where the lamp is to be installed.
- Electric drill, screwdriver, 2.5 mm Hex / Allen key, and spirit-level.
- Bulb type: E27 fitting 60 watt tungsten bulb or 12 watt low energy bulb.

Safety Precautions:

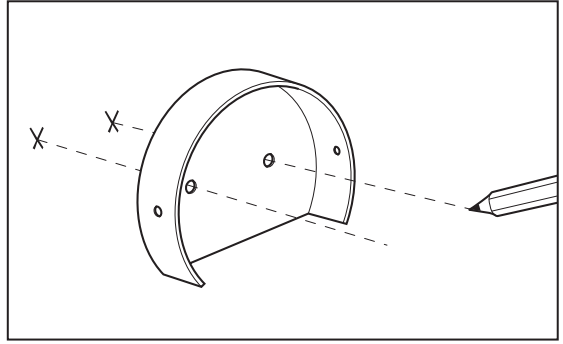
- Dispose of plastic bag from packaging and do not allow children to play with it.
- Keep product well out of children's reach.
- The lamp is only intended for interior use.
- Lamp exterior gets hot after prolonged use.
- Do not attempt installation of product if you are not competent to do so yourself.
- Consult a professionally qualified electrician if in any doubt.
- Disconnect the electricity supply at the fuse box, before commencing work.

Cleaning Instructions:

- Wipe surface of lamp shade with a soft, damp sponge or cloth.
- Do not use any abrasive cleaning tools such as steel wool, scouring sponges or stiff brushes.
- Never use strong cleaning agents such as white spirit, turpentine, household glass cleaner or cellulose thinners.
- Only wipe the inside of the shade with a soft, damp cloth or feather duster.

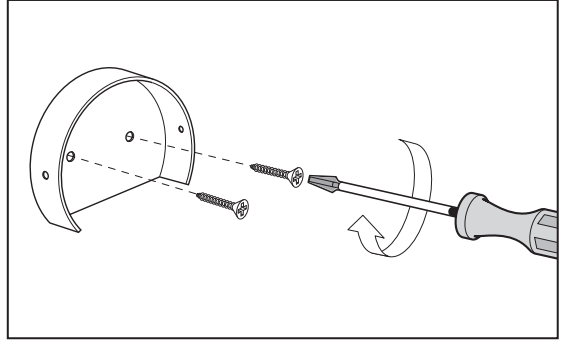
01.

Ensure the power cord can be connected so it is not over-stretched or an obstacle. Place the wall mounting on top of a spirit level in the desired location for the lamp. Ensure the mount is level and mark the placement of the holes with a pencil.



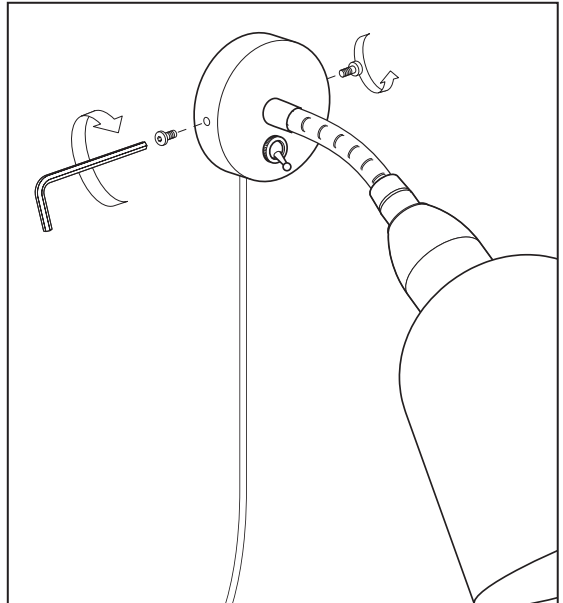
02.

Drill the holes for the bracket and use the correct type of screw and plug for the type of wall which the lamp is to be fitted to. Tighten the screws and ensure the bracket is safely fixed in place.



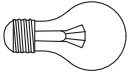
03.

Place the lamp over the wall-bracket. Align the screw holes of the lamp with the bracket and tighten the screws with a 2.5 mm Hex / Allen key.

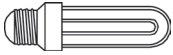


04.

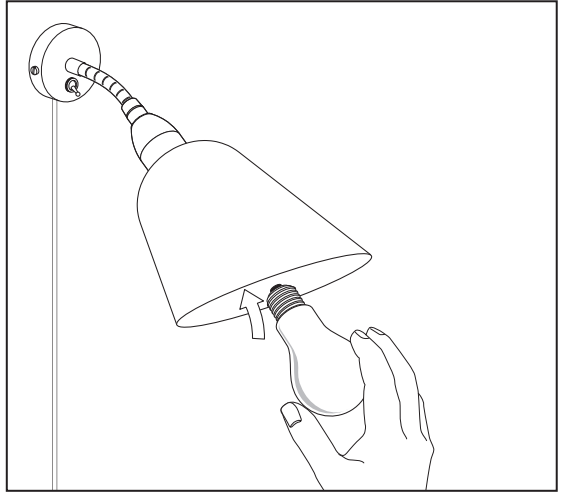
The lamp accepts standard screw mount bulbs:



Maximum 60 W.
Tungsten E27 bulb.

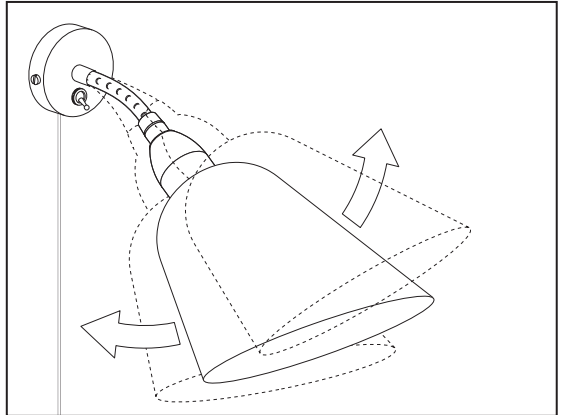


Maximum 12 W.
Low Energy E27
bulb.



05.

To adjust the angle of the light, grip the lamp shade or goose-neck. The lamp shade can not be rotated. Be sure not to force the lamp into a position where it does not stay in position.



CE □ F IP20

& tradition[®]
COPENHAGEN

KONGEVEJEN 2. DK-3480 FREDENSBORG.

T. +45 39200233 F.+45 39200256

INFO@ANDTRADITION.DK WWW.ANDTRADITION.COM